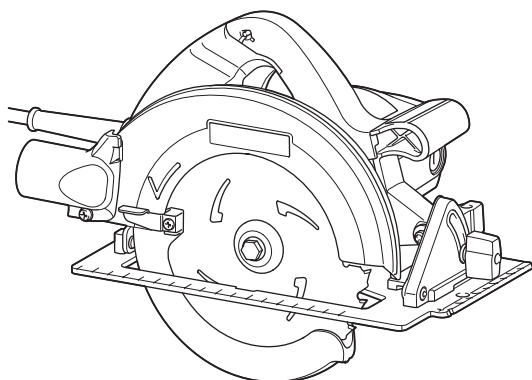


INSTRUCTION MANUAL
MANUEL D'INSTRUCTION
MANUAL DE INSTRUCCIONES



Circular Saw Scie Circulaire Sierra Circular

5007F
5007FA



DOUBLE INSULATION
DOUBLE ISOLATION
DOBLE AISLAMIENTO

IMPORTANT: Read Before Using.
IMPORTANT : Lire avant usage.
IMPORTANTE: Lea antes de usar.

SPECIFICATIONS

Model	5007F/5007FA		
Blade diameter	185 mm (7-1/4")		
Max. Cutting depth	at 90°	60 mm (2-3/8")	
	at 45°	46 mm (1-3/4")	
No load speed (RPM)	5,800 /min		
Overall length	305 mm (12")		
Net weight	5.0 kg (11.1 lbs)		

- Due to our continuing programme of research and development, the specifications herein are subject to change without notice.
- Specifications may differ from country to country.
- Weight according to EPTA-Procedure 01/2003

General Power Tool Safety Warnings

⚠WARNING Read all safety warnings and all instructions. Failure to follow the warnings and instructions may result in electric shock, fire and/or serious injury.

Save all warnings and instructions for future reference.

The term "power tool" in the warnings refers to your mains-operated (corded) power tool or battery-operated (cordless) power tool.

Work area safety

1. **Keep work area clean and well lit.** Cluttered or dark areas invite accidents.
2. **Do not operate power tools in explosive atmospheres, such as in the presence of flammable liquids, gases or dust.** Power tools create sparks which may ignite the dust or fumes.
3. **Keep children and bystanders away while operating a power tool.** Distractions can cause you to lose control.

Electrical Safety

4. **Power tool plugs must match the outlet. Never modify the plug in any way. Do not use any adapter plugs with earthed (grounded) power tools.** Unmodified plugs and matching outlets will reduce risk of electric shock.
5. **Avoid body contact with earthed or grounded surfaces such as pipes, radiators, ranges and refrigerators.** There is an increased risk of electric shock if your body is earthed or grounded.
6. **Do not expose power tools to rain or wet conditions.** Water entering a power tool will increase the risk of electric shock.
7. **Do not abuse the cord. Never use the cord for carrying, pulling or unplugging the power tool. Keep cord away from heat, oil, sharp edges or moving parts.** Damaged or entangled cords increase the risk of electric shock.
8. **When operating a power tool outdoors, use an extension cord suitable for outdoor use.** Use of a cord suitable for outdoor use reduces the risk of electric shock.

9. **If operating a power tool in a damp location is unavoidable, use a ground fault circuit interrupter (GFCI) protected supply.** Use of an GFCI reduces the risk of electric shock.

Personal Safety

10. **Stay alert, watch what you are doing and use common sense when operating a power tool. Do not use a power tool while you are tired or under the influence of drugs, alcohol or medication.** A moment of inattention while operating power tools may result in serious personal injury.
11. **Use personal protective equipment. Always wear eye protection.** Protective equipment such as dust mask, non-skid safety shoes, hard hat, or hearing protection used for appropriate conditions will reduce personal injuries.
12. **Prevent unintentional starting. Ensure the switch is in the off-position before connecting to power source and/or battery pack, picking up or carrying the tool.** Carrying power tools with your finger on the switch or energising power tools that have the switch on invites accidents.
13. **Remove any adjusting key or wrench before turning the power tool on.** A wrench or a key left attached to a rotating part of the power tool may result in personal injury.
14. **Do not overreach. Keep proper footing and balance at all times.** This enables better control of the power tool in unexpected situations.
15. **Dress properly. Do not wear loose clothing or jewellery. Keep your hair, clothing, and gloves away from moving parts.** Loose clothes, jewellery or long hair can be caught in moving parts.
16. **If devices are provided for the connection of dust extraction and collection facilities, ensure these are connected and properly used.** Use of dust collection can reduce dust-related hazards.

Power tool use and care

17. **Do not force the power tool. Use the correct power tool for your application.** The correct power tool will do the job better and safer at the rate for which it was designed.
18. **Do not use the power tool if the switch does not turn it on and off.** Any power tool that cannot be controlled with the switch is dangerous and must be repaired.

19. **Disconnect the plug from the power source and/or the battery pack from the power tool before making any adjustments, changing accessories, or storing power tools.** Such preventive safety measures reduce the risk of starting the power tool accidentally.
20. **Store idle power tools out of the reach of children and do not allow persons unfamiliar with the power tool or these instructions to operate the power tool.** Power tools are dangerous in the hands of untrained users.
21. **Maintain power tools. Check for misalignment or binding of moving parts, breakage of parts and any other condition that may affect the power tool's operation. If damaged, have the power tool repaired before use.** Many accidents are caused by poorly maintained power tools.
22. **Keep cutting tools sharp and clean.** Properly maintained cutting tools with sharp cutting edges are less likely to bind and are easier to control.
23. **Use the power tool, accessories and tool bits etc. in accordance with these instructions, taking into account the working conditions and the work to be performed.** Use of the power tool for operations different from those intended could result in a hazardous situation.

Service

24. **Have your power tool serviced by a qualified repair person using only identical replacement parts.** This will ensure that the safety of the power tool is maintained.
25. **Follow instruction for lubricating and changing accessories.**
26. **Keep handles dry, clean and free from oil and grease.**

USE PROPER EXTENSION CORD. Make sure your extension cord is in good condition. When using an extension cord, be sure to use one heavy enough to carry the current your product will draw. An undersized cord will cause a drop in line voltage resulting in loss of power and overheating. Table 1 shows the correct size to use depending on cord length and nameplate ampere rating. If in doubt, use the next heavier gage. The smaller the gage number, the heavier the cord.

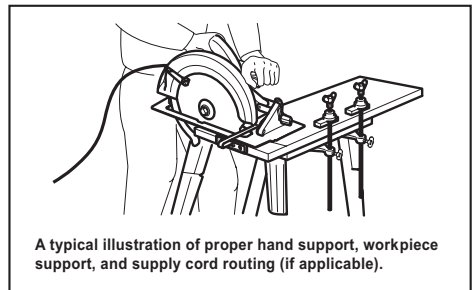
Table 1: Minimum gage for cord

Ampere Rating		Volts	Total length of cord in feet			
		120V	25 ft.	50 ft.	100 ft.	150 ft.
		220V - 240V	50 ft.	100 ft.	200 ft.	300 ft.
More Than	Not More Than	AWG				
0	6	/	18	16	16	14
6	10		18	16	14	12
10	12		16	16	14	12
12	16		14	12	Not Recommended	

CIRCULAR SAW SAFETY WARNINGS

Cutting procedures

1. **⚠ DANGER: Keep hands away from cutting area and the blade. Keep your second hand on auxiliary handle, or motor housing.** If both hands are holding the saw, they cannot be cut by the blade.
2. **Do not reach underneath the workpiece.** The guard cannot protect you from the blade below the workpiece.
3. **Adjust the cutting depth to the thickness of the workpiece.** Less than a full tooth of the blade teeth should be visible below the workpiece.
4. **Never hold piece being cut in your hands or across your leg. Secure the workpiece to a stable platform.** It is important to support the work properly to minimize body exposure, blade binding, or loss of control.



5. **Hold the power tool by insulated gripping surfaces only, when performing an operation where the cutting tool may contact hidden wiring or its own cord.** Contact with a "live" wire will also make exposed metal parts of the power tool "live" and could give the operator an electric shock.
6. **When ripping, always use a rip fence or straight edge guide.** This improves the accuracy of cut and reduces the chance of blade binding.
7. **Always use blades with correct size and shape (diamond versus round) of arbour holes.** Blades that do not match the mounting hardware of the saw will run eccentrically, causing loss of control.

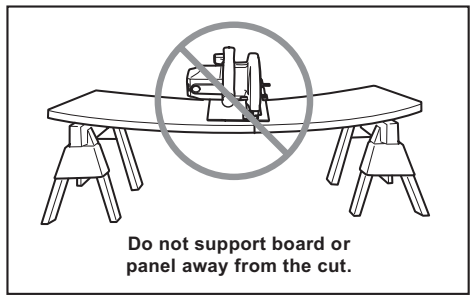
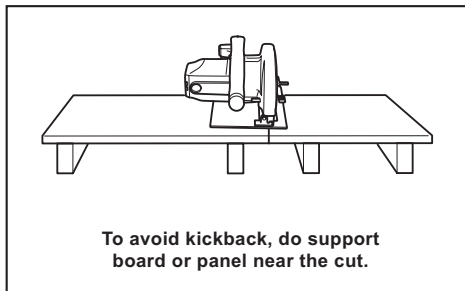
8. **Never use damaged or incorrect blade washers or bolt.** The blade washers and bolt were specially designed for your saw, for optimum performance and safety of operation.

Kickback causes and related warnings

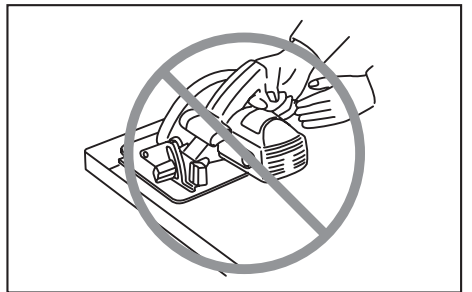
- kickback is a sudden reaction to a pinched, bound or misaligned saw blade, causing an uncontrolled saw to lift up and out of the workpiece toward the operator;
- when the blade is pinched or bound tightly by the kerf closing down, the blade stalls and the motor reaction drives the unit rapidly back toward the operator;
- if the blade becomes twisted or misaligned in the cut, the teeth at the back edge of the blade can dig into the top surface of the wood causing the blade to climb out of the kerf and jump back toward the operator.

Kickback is the result of saw misuse and/or incorrect operating procedures or conditions and can be avoided by taking proper precautions as given below.

9. **Maintain a firm grip with both hands on the saw and position your arms to resist kickback forces. Position your body to either side of the blade, but not in line with the blade.** Kickback could cause the saw to jump backwards, but kickback forces can be controlled by the operator, if proper precautions are taken.
10. **When blade is binding, or when interrupting a cut for any reason, release the trigger and hold the saw motionless in the material until the blade comes to a complete stop. Never attempt to remove the saw from the work or pull the saw backward while the blade is in motion or kickback may occur.** Investigate and take corrective actions to eliminate the cause of blade binding.
11. **When restarting a saw in the workpiece, centre the saw blade in the kerf and check that saw teeth are not engaged into the material.** If saw blade is binding, it may walk up or kickback from the workpiece as the saw is restarted.
12. **Support large panels to minimise the risk of blade pinching and kickback.** Large panels tend to sag under their own weight. Supports must be placed under the panel on both sides, near the line of cut and near the edge of the panel.



13. **Do not use dull or damaged blades.** Unsharpened or improperly set blades produce narrow kerf causing excessive friction, blade binding and kickback.
14. **Blade depth and bevel adjusting locking levers must be tight and secure before making cut.** If blade adjustment shifts while cutting, it may cause binding and kickback.
15. **Use extra caution when sawing into existing walls or other blind areas.** The protruding blade may cut objects that can cause kickback.
16. **ALWAYS hold the tool firmly with both hands. NEVER place your hand or fingers behind the saw.** If kickback occurs, the saw could easily jump backwards over your hand, leading to serious personal injury.



17. **Never force the saw. Push the saw forward at a speed so that the blade cuts without slowing.** Forcing the saw can cause uneven cuts, loss of accuracy, and possible kickback.

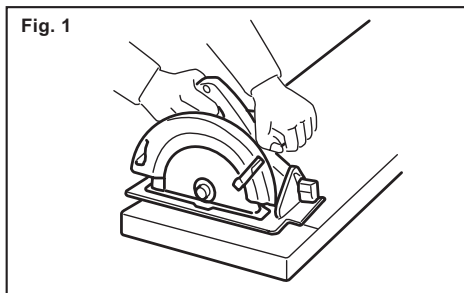
Lower guard function

18. **Check lower guard for proper closing before each use. Do not operate the saw if lower guard does not move freely and close instantly. Never clamp or tie the lower guard into the open position.** If saw is accidentally dropped, lower guard may be bent. Raise the lower guard with the retracting handle and make sure it moves freely and does not touch the blade or any other part, in all angles and depths of cut.
19. **Check the operation of the lower guard spring. If the guard and the spring are not operating properly, they must be serviced before use.** Lower guard may operate sluggishly due to damaged parts, gummy deposits, or a build-up of debris.
20. **Lower guard should be retracted manually only for special cuts such as "plunge cuts" and "compound cuts". Raise lower guard by retracting handle and as soon as blade enters the material, the lower guard must be released.** For all other sawing, the lower guard should operate automatically.

21. **Always observe that the lower guard is covering the blade before placing saw down on bench or floor.** An unprotected, coasting blade will cause the saw to walk backwards, cutting whatever is in its path. Be aware of the time it takes for the blade to stop after switch is released.
22. **To check lower guard, open lower guard by hand, then release and watch guard closure. Also check to see that retracting handle does not touch tool housing.** Leaving blade exposed is VERY DANGEROUS and can lead to serious personal injury.

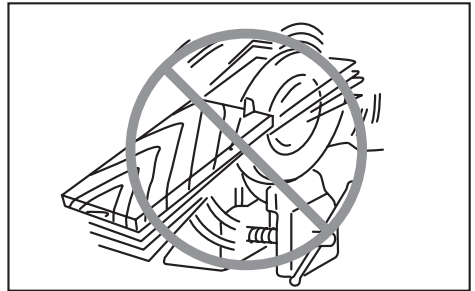
Additional safety warnings

23. **Intended use**
This tool is intended to cut wood products only. Accumulated sawdust on the lower guard and hub from other materials may effect the proper closure of the lower guard which could lead to serious personal injury.
24. **Use extra caution when cutting damp wood, pressure treated lumber, or wood containing knots.** Maintain smooth advancement of tool without decrease in blade speed to avoid overheating the blade tips.
25. **Do not attempt to remove cut material when blade is moving. Wait until blade stops before grasping cut material.** Blades coast after turn off.
26. **Avoid Cutting Nails. Inspect for and remove all nails from lumber before cutting.**
27. **Place the wider portion of the saw base on that part of the workpiece which is solidly supported, not on the section that will fall off when the cut is made. As examples, Fig. 1 illustrates the RIGHT way to cut off the end of a board, and Fig. 2 the WRONG way. If the workpiece is short or small, clamp it down. DO NOT TRY TO HOLD SHORT PIECES BY HAND!**



28. **Before setting the tool down after completing a cut, be sure that the lower guard has closed and the blade has come to a complete stop.**

29. **Never attempt to saw with the circular saw held upside down in a vise. This is extremely dangerous and can lead to serious accidents.**



30. **Some material contains chemicals which may be toxic. Take caution to prevent dust inhalation and skin contact. Follow material supplier safety data.**
31. **Do not stop the blades by lateral pressure on the saw blade.**
32. **Do not use any abrasive wheels.**
33. **Only use the saw blade with the diameter that is marked on the tool or specified in the manual.** Use of an incorrectly sized blade may affect the proper guarding of the blade or guard operation which could result in serious personal injury.
34. **Keep blade sharp and clean.** Gum and wood pitch hardened on blades slows saw and increases potential for kickback. Keep blade clean by first removing it from tool, then cleaning it with gum and pitch remover, hot water or kerosene. Never use gasoline.
35. **Wear a dust mask and hearing protection when use the tool.**

SAVE THESE INSTRUCTIONS.

⚠WARNING: DO NOT let comfort or familiarity with product (gained from repeated use) replace strict adherence to safety rules for the subject product. MISUSE or failure to follow the safety rules stated in this instruction manual may cause serious personal injury.

Symbols

The followings show the symbols used for tool.

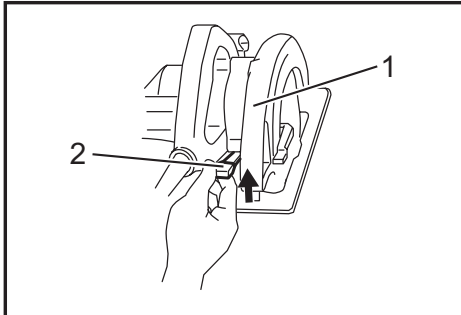
V	volts
A	amperes
	alternating or direct current
n _o	no load speed
	Class II Construction
... /min	revolutions or reciprocation per minute
r /min	

FUNCTIONAL DESCRIPTION

⚠ CAUTION:

- Always be sure that the tool is switched off and unplugged before adjusting or checking function on the tool.

Adjusting depth of cut



► 1. Depth guide 2. Lever

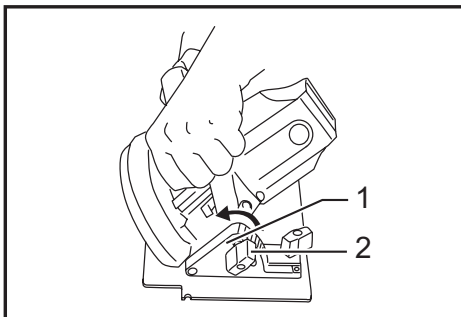
⚠ CAUTION:

- After adjusting the depth of cut, always tighten the lever securely.

Loosen the lever on the depth guide and move the base up or down. At the desired depth of cut, secure the base by tightening the lever.

For cleaner, safer cuts, set cut depth so that no more than one blade tooth projects below workpiece. Using proper cut depth helps to reduce potential for dangerous KICKBACKS which can cause personal injury.

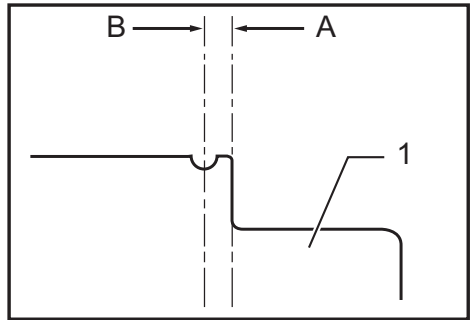
Bevel cutting



► 1. Bevel scale plate 2. Clamping screw

Loosen the clamping screw on the bevel scale plate on the front of the base. Set for the desired angle (0° - 45°) by tilting accordingly, then tighten the clamping screw securely.

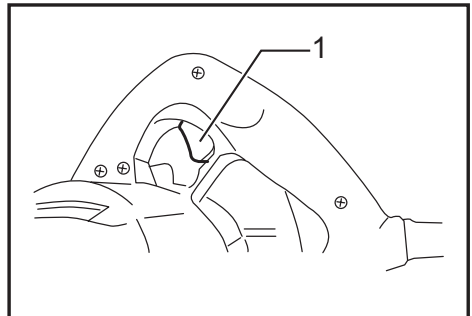
Sighting



► 1. Base

For straight cuts, align the A position on the front of the base with your cutting line. For 45° bevel cuts, align the B position with it.

Switch action



► 1. Switch trigger

⚠ CAUTION:

- Before plugging in the tool, always check to see that the switch trigger actuates properly and returns to the "OFF" position when released.

To start the tool, simply pull the switch trigger. Release the switch trigger to stop.

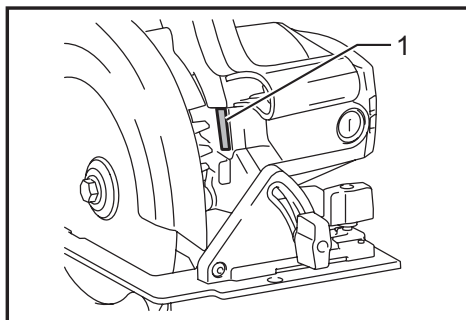
Electric brake

For model 5007FA only

This tool is equipped with an electric blade brake. If the tool consistently fails to quickly stop blade after switch trigger release, have tool serviced at a Makita service center.

The blade brake system is not a substitute for lower guard. NEVER USE TOOL WITHOUT A FUNCTIONING LOWER GUARD. SERIOUS PERSONAL INJURY CAN RESULT.

Lighting the lamp



► 1. Lamp

⚠ CAUTION:

- Do not apply impact to the lamp, which may cause damage or shorten service time to it.
- Do not look in the light or see the source of light directly.

The lamp lights up when the tool is plugged. The lamp keeps on lighting until the tool is unplugged.

NOTE:

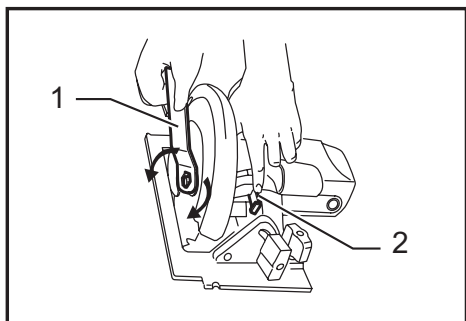
- Use a dry cloth to wipe the dirt off the lens of lamp. Be careful not to scratch the lens of lamp, or it may lower the illumination.

ASSEMBLY

⚠ CAUTION:

- Always be sure that the tool is switched off and unplugged before carrying out any work on the tool.

Removing or installing saw blade

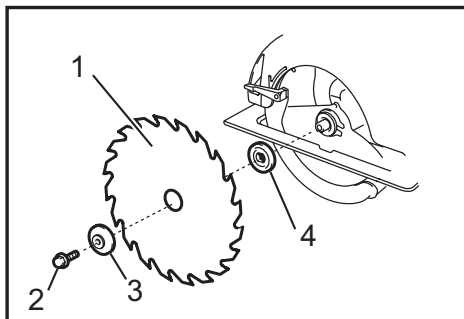


► 1. Wrench 2. Shaft lock

⚠ CAUTION:

- Be sure the blade is installed with teeth pointing up at the front of the tool.
- Use only the Makita wrench to install or remove the blade.

To remove the blade, press the shaft lock so that the blade cannot revolve and use the wrench to loosen the hex bolt counter-clockwise. Then remove the hex bolt, outer flange and blade. To install the blade, follow the removal procedure in reverse. **BE SURE TO TIGHTEN THE HEX BOLT CLOCKWISE SECURELY.**

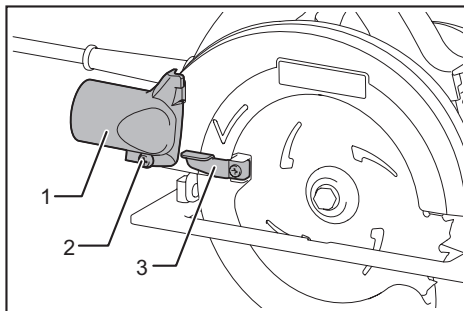


► 1. Saw blade 2. Hex bolt 3. Outer flange 4. Inner flange

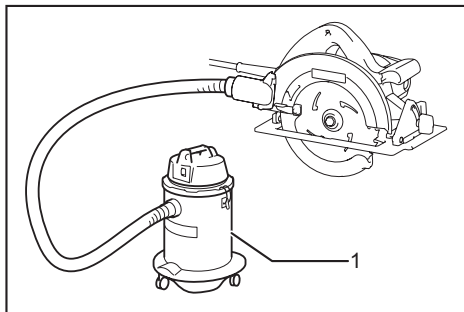
When changing blade, make sure to also clean the upper and lower blade guards of accumulated sawdust as discussed in the Maintenance section. Such efforts do not replace the need to check lower guard operation before each use.

Connecting a vacuum cleaner

(Optional accessory in some countries)



► 1. Dust nozzle 2. Screw 3. Lever



► 1. Vacuum cleaner

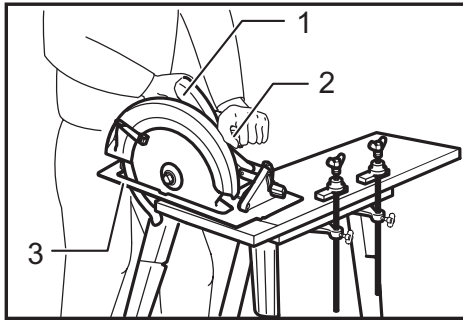
When you wish to perform clean cutting operation, connect a Makita vacuum cleaner to your tool. Install the dust nozzle on the tool using the screw. Then connect a hose of the vacuum cleaner to the dust nozzle as shown in the figure.

For tool without dust nozzle provided as a standard equipment, replace the lever fixed on the lower guard to the one supplied with the dust nozzle (optional accessory) at the same time when installing the dust nozzle. Otherwise you will not be able to make a cut because the lower guard movement is hindered by the dust nozzle.

OPERATION

⚠ CAUTION:

- Be sure to move the tool forward in a straight line gently. Forcing or twisting the tool will result in overheating the motor and dangerous kickback, possibly causing severe injury.

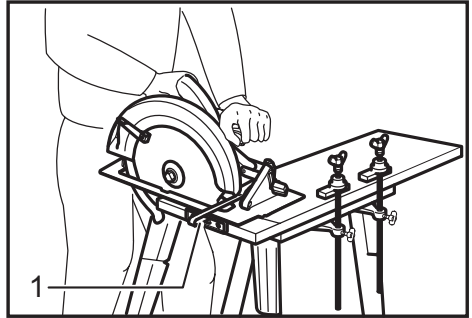


► 1. Rear handle 2. Front grip 3. Base

Hold the tool firmly. The tool is provided with both a front grip and rear handle. Use both to best grasp the tool. If both hands are holding saw, they cannot be cut by the blade. Set the base on the workpiece to be cut without the blade making any contact. Then turn the tool on and wait until the blade attains full speed. Now simply move the tool forward over the workpiece surface, keeping it flat and advancing smoothly until the sawing is completed.

To get clean cuts, keep your sawing line straight and your speed of advance uniform. If the cut fails to properly follow your intended cut line, do not attempt to turn or force the tool back to the cut line. Doing so may bind the blade and lead to dangerous kickback and possible serious injury. Release switch, wait for blade to stop and then withdraw tool. Realign tool on new cut line, and start cut again. Attempt to avoid positioning which exposes operator to chips and wood dust being ejected from saw. Use eye protection to help avoid injury.

Rip fence (Guide rule) (optional accessory)



► 1. Rip fence (Guide rule)

The handy rip fence allows you to do extra-accurate straight cuts. Simply slide the rip fence up snugly against the side of the workpiece and secure it in position with the screw on the front of the base. It also makes repeated cuts of uniform width possible.

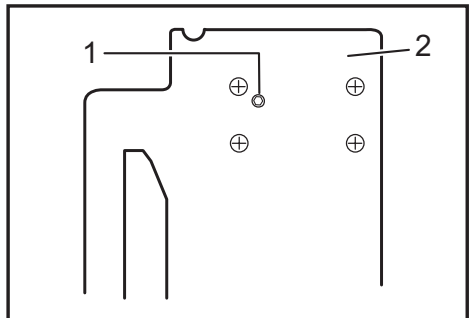
MAINTENANCE

⚠ CAUTION:

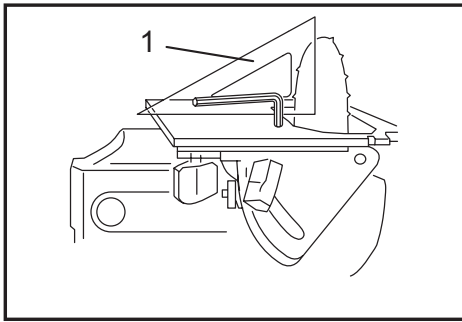
- Always be sure that the tool is switched off and unplugged before attempting to perform inspection or maintenance.
- **Clean out the upper and lower guards to ensure there is no accumulated sawdust which may impede the operation of the lower guarding system.** A dirty guarding system may limit the proper operation which could result in serious personal injury. The most effective way to accomplish this cleaning is with compressed air. **If the dust is being blown out of the guards be sure the proper eye and breathing protection is used.**
- Never use gasoline, benzene, thinner, alcohol or the like. Discoloration, deformation or cracks may result.

Adjusting for accuracy of 90° cut (vertical cut)

This adjustment has been made at the factory. But if it is off, adjust the adjusting screw with a hex wrench while squaring the blade with the base using a triangular rule, try square, etc.

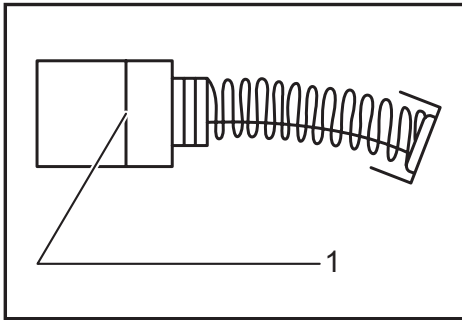


► 1. Adjusting screw 2. Base



► 1. Triangular rule

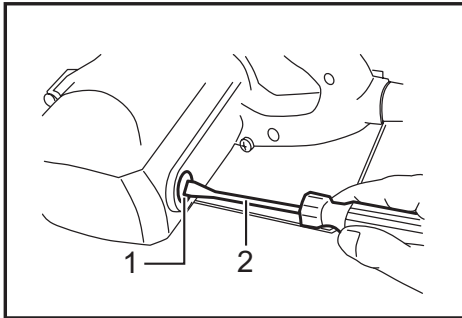
Replacing carbon brushes



► 1. Limit mark

Remove and check the carbon brushes regularly. Replace when they wear down to the limit mark. Keep the carbon brushes clean and free to slip in the holders. Both carbon brushes should be replaced at the same time. Use only identical carbon brushes.

Use a screwdriver to remove the brush holder caps. Take out the worn carbon brushes, insert the new ones and secure the brush holder caps.



► 1. Brush holder cap 2. Screwdriver

For model 5007FA only

After replacing brushes, plug in the tool and break in brushes by running tool with no load for about 10 minutes. Then check the tool while running and electric brake operation when releasing the switch trigger. If electric brake is not working well, ask your local Makita service center for repair.

To maintain product SAFETY and RELIABILITY, repairs, any other maintenance or adjustment should be performed by Makita Authorized or Factory Service Centers, always using Makita replacement parts.

OPTIONAL ACCESSORIES

⚠ CAUTION:

- These accessories or attachments are recommended for use with your Makita tool specified in this manual. The use of any other accessories or attachments might present a risk of injury to persons. Only use accessory or attachment for its stated purpose.

If you need any assistance for more details regarding these accessories, ask your local Makita Service Center.

- Steel & Carbide-tipped saw blades

Combination	General purpose blade for fast and smooth rip, crosscuts and miters.
Pressure treated/ Wet lumber	Designed for fast cutting of pressure treated and wet lumber.
Fine cross cuts	For sand-free cuts cleanly against the grain.

- Rip fence (Guide rule)
- Wrench 13

NOTE:

- Some items in the list may be included in the tool package as standard accessories. They may differ from country to country.

MAKITA LIMITED WARRANTY

Please refer to the annexed warranty sheet for the most current warranty terms applicable to this product. If annexed warranty sheet is not available, refer to the warranty details set forth at below website for your respective country.

United States of America: www.makitatools.com

Canada: www.makita.ca

Other countries: www.makita.com

SPÉCIFICATIONS

Modèle		5007F/5007FA
Diamètre de la lame		185 mm (7-1/4")
Profondeur de coupe max.	à 90°	60 mm (2-3/8")
	à 45°	46 mm (1-3/4")
Vitesse à vide (T/MIN)		5 800 /min
Longueur totale		305 mm (12")
Poids net		5,0 kg (11,1 lbs)

- Étant donné l'évolution constante de notre programme de recherche et de développement, les spécifications contenues dans ce manuel sont sujettes à modification sans préavis.
- Les spécifications peuvent varier suivant les pays.
- Poids conforme à la procédure EPTA du 01/2003

Consignes de sécurité générales pour outils électriques

⚠ MISE EN GARDE Veuillez lire toutes les mises en garde de sécurité et toutes les instructions. L'ignorance des mises en garde et des instructions comporte un risque de choc électrique, d'incendie et/ou de blessure grave.

Conservez toutes les mises en garde et instructions pour référence future.

Le terme « outil électrique » qui figure dans les avertissements fait référence à un outil électrique branché sur une prise de courant (par un cordon d'alimentation) ou alimenté par batterie (sans fil).

Sécurité de la zone de travail

1. **Maintenez la zone de travail propre et bien éclairée.** Les zones de travail encombrées ou sombres ouvrent grande la porte aux accidents.
2. **N'utilisez pas les outils électriques dans les atmosphères explosives, par exemple en présence de liquides, gaz ou poussières inflammables.** Les outils électriques produisent des étincelles au contact desquelles la poussière ou les vapeurs peuvent s'enflammer.
3. **Assurez-vous qu'aucun enfant ou curieux ne s'approche pendant que vous utilisez un outil électrique.** Vous risquez de perdre la maîtrise de l'outil si votre attention est détournée.

Sécurité en matière d'électricité

4. **Les fiches d'outil électrique sont conçues pour s'adapter parfaitement aux prises de courant. Ne modifiez jamais la fiche de quelque façon que ce soit. N'utilisez aucun adaptateur de fiche sur les outils électriques avec mise à la terre.** En ne modifiant pas les fiches et en les insérant dans des prises de courant pour lesquelles elles ont été conçues vous réduirez les risques de choc électrique.
5. **Évitez tout contact corporel avec les surfaces mises à la terre, telles que les tuyaux, radiateurs, cuisinières et réfrigérateurs.** Le risque de choc électrique est plus élevé si votre corps se trouve mis à la terre.

6. **N'exposez pas les outils électriques à la pluie ou à l'eau.** La présence d'eau dans un outil électrique augmente le risque de choc électrique.
7. **Ne maltraitez pas le cordon. N'utilisez jamais le cordon pour transporter, tirer ou débrancher l'outil électrique. Maintenez le cordon à l'écart des sources de chaleur, de l'huile, des objets à bords tranchants et des pièces en mouvement.** Le risque de choc électrique est plus élevé lorsque les cordons sont endommagés ou enchevêtrés.
8. **Lorsque vous utilisez un outil électrique à l'extérieur, utilisez un cordon prolongateur prévu à cette fin.** Les risques de choc électrique sont moindres lorsqu'un cordon conçu pour l'extérieur est utilisé.
9. **Si vous devez utiliser un outil électrique dans un endroit humide, utilisez une source d'alimentation protégée par un disjoncteur de fuite à la terre.** L'utilisation d'un disjoncteur de fuite à la terre réduit le risque de choc électrique.

Sécurité personnelle

10. **Restez alerte, attentif à vos mouvements et faites preuve de bon sens lorsque vous utilisez un outil électrique. Évitez d'utiliser un outil électrique si vous êtes fatigué ou si vous avez pris une drogue, de l'alcool ou un médicament.** Un moment d'inattention pendant l'utilisation d'un outil électrique peut entraîner une grave blessure.
11. **Portez des dispositifs de protection personnelle. Portez toujours un protecteur pour la vue.** Les risques de blessure seront moins élevés si vous utilisez des dispositifs de protection tels qu'un masque antipoussières, des chaussures à semelle antidérapante, une coiffure résistante ou une protection d'oreilles.
12. **Évitez les démarrages accidentels. Assurez-vous que l'interrupteur soit en position d'arrêt avant de brancher l'outil à la prise électrique et/ou au bloc-piles, avant de prendre ou de transporter l'outil.** Vous ouvrez la porte aux accidents si vous transportez les outils électriques avec le doigt sur l'interrupteur ou si vous les branchez alors que l'interrupteur est en position de marche.

13. **Retirez toute clé de réglage ou de serrage avant de mettre l'outil sous tension.** Toute clé laissée en place sur une pièce rotative de l'outil électrique peut entraîner une blessure.
14. **Maintenez une bonne position. Assurez-vous d'une bonne prise au sol et d'une bonne position d'équilibre en tout temps.** Cela vous permettra d'avoir une meilleure maîtrise de l'outil dans les situations imprévues.
15. **Portez des vêtements adéquats. Ne portez ni vêtements amples ni bijoux. Vous devez maintenir cheveux, vêtements et gants à l'écart des pièces en mouvement.** Les pièces en mouvement peuvent happer les vêtements amples, les bijoux et les cheveux longs.
16. **Si des accessoires sont fournis pour raccorder un appareil d'aspiration et de collecte de la poussière, assurez-vous qu'ils sont correctement raccordés et qu'ils sont utilisés de manière adéquate.** L'utilisation d'un appareil d'aspiration permet de réduire les risques liés à la présence de poussière dans l'air.

Utilisation et entretien des outils électriques

17. **Ne forcez pas l'outil électrique. Utilisez l'outil électrique adéquat suivant le type de travail à effectuer.** Si vous utilisez l'outil électrique adéquat et respectez le régime pour lequel il a été conçu, il effectuera un travail de meilleure qualité et de façon plus sécuritaire.
18. **N'utilisez pas l'outil électrique s'il n'est pas possible de mettre sa gâchette en position de marche et d'arrêt.** Un outil électrique dont l'interrupteur est défectueux représente un danger et doit être réparé.
19. **Débranchez la fiche de la source d'alimentation et/ou retirez le bloc-piles de l'outil électrique avant d'effectuer tout réglage, de changer un accessoire ou de ranger l'outil électrique.** De telles mesures préventives réduisent les risques de démarrage accidentel de l'outil électrique.
20. **Après l'utilisation d'un outil électrique, rangez-le hors de portée des enfants et ne laissez aucune personne l'utiliser si elle n'est pas familiarisée avec l'outil électrique ou les présentes instructions d'utilisation.** Les outils électriques représentent un danger entre les mains de personnes qui n'en connaissent pas le mode d'utilisation.

21. **Veillez à l'entretien des outils électriques. Assurez-vous que les pièces mobiles ne sont pas désalignées ou coincées, qu'aucune pièce n'est cassée et que l'outil électrique n'a subi aucun dommage affectant son bon fonctionnement. Le cas échéant, faites réparer l'outil électrique avant de l'utiliser.** De nombreux accidents sont causés par des outils électriques mal entretenus.
22. **Maintenez les outils tranchants bien aiguisés et propres.** Un outil tranchant dont l'entretien est effectué correctement et dont les bords sont bien aiguisés risquera moins de se coincer et sera plus facile à maîtriser.
23. **Utilisez l'outil électrique, ses accessoires, ses embouts, etc., en respectant les présentes instructions, en tenant compte des conditions de travail et du type de travail à effectuer.** L'utilisation d'un outil électrique à des fins autres que celles prévues peut entraîner une situation dangereuse.

Réparation

24. **Faites réparer votre outil électrique par un réparateur qualifié qui utilise des pièces de rechange identiques aux pièces d'origine.** Le maintien de la sûreté de l'outil électrique sera ainsi assuré.
25. **Suivez les instructions de lubrification et de changement des accessoires.**
26. **Maintenez les poignées de l'outil sèches, propres et exemptes d'huile ou de graisse.**
 UTILISEZ UN CORDON PROLONGATEUR APPROPRIÉ. Assurez-vous que votre cordon prolongateur est en bonne condition. Lorsque vous utilisez un cordon prolongateur, assurez-vous qu'il est assez robuste pour transporter le courant exigé par le produit. Un cordon qui est trop petit entraînera une baisse dans la tension composée, ce qui causera une perte d'énergie et un surchauffage. Le tableau 1 indique la dimension de cordon à utiliser, en fonction de la longueur du cordon et de l'intensité nominale figurant sur la plaque signalétique. En cas de doute, utilisez un cordon plus robuste. Plus le numéro de calibre est bas, plus le cordon est robuste.

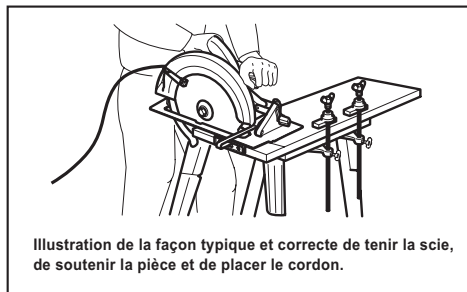
Tableau 1. Gabarit minimum du cordon

Intensité nominale		Volts	Longueur totale du cordon en pieds			
		120V	25 pi	50 pi	100 pi	150 pi
		220V - 240V	50 pi	100 pi	200 pi	300 pi
Plus de	Pas plus de	Calibre américain des fils				
0	6	/	18	16	16	14
6	10		18	16	14	12
10	12		16	16	14	12
12	16		14	12	Non recommandé	

CONSIGNES DE SÉCURITÉ POUR LA SCIE CIRCULAIRE

Procédures de coupe

1. **⚠ DANGER : N'approchez pas les mains de la zone de coupe ou de la lame. Gardez l'autre main sur la poignée auxiliaire ou sur le carter du moteur.** En tenant la scie avec vos deux mains, vous mettez celles-ci à l'abri de la lame.
2. **N'étendez pas la main sous la pièce.** Le protecteur ne peut pas vous protéger contre la lame sous la pièce.
3. **Ajustez la profondeur de coupe en fonction de l'épaisseur de la pièce.** La partie de la lame visible sous la pièce doit être inférieure à une dent de lame complète.
4. **Ne maintenez jamais le matériau à scier dans vos mains ou sur votre jambe. Immobilisez la pièce sur une surface stable.** Il est important de soutenir adéquatement la pièce afin de minimiser l'exposition du corps, les coincements de lame ou les pertes de maîtrise.



5. **Tenez uniquement l'outil électrique par ses surfaces de prise isolées pendant toute opération où l'outil de coupe pourrait venir en contact avec un câblage dissimulé ou avec son propre cordon.** En cas de contact avec un conducteur sous tension, les pièces métalliques à découvert de l'outil deviendraient également sous tension et risqueraient de transmettre une décharge à l'utilisateur.
6. **Lors du sciage en long, utilisez toujours un garde parallèle ou un guide de coupe rectiligne.** Cela améliore la précision de la coupe et réduit le risque de coincement de la lame.
7. **Employez toujours une lame de diamètre approprié et dont le trou central est de forme correcte (angulaire ou ronde).** Une lame dont le trou ne correspond pas à la forme du moyeu de fixation de la scie risque de tourner de façon excentrique et de vous faire perdre la maîtrise de l'outil.
8. **N'utilisez jamais de rondelles ou boulons endommagés ou inadéquats pour fixer la lame.** Les rondelles et le boulon ont été conçus spécialement pour votre scie, afin d'assurer un fonctionnement optimal et un travail sécuritaire.

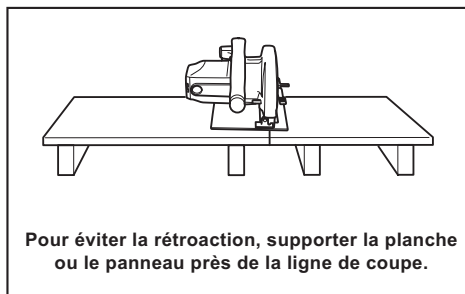
Causes du recul et avertissements connexes

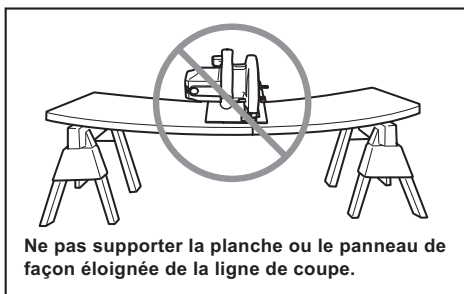
- le recul est une réaction soudaine survenant lorsque la lame, coincée, pincée ou mal alignée devient incontrôlable, se soulève hors de la pièce et se dirige vers l'utilisateur ;

- lorsque la lame se trouve coincée ou pincée par le trait de scie qui se referme sur elle, elle se bloque et une réaction du moteur entraîne alors l'outil rapidement vers l'utilisateur ;
- si la lame se tord ou se désaligne par rapport à la ligne de coupe, les dents arrière risquent de s'enfoncer dans la surface du bois et la lame de quitter le trait de scie en reculant brusquement vers l'utilisateur.

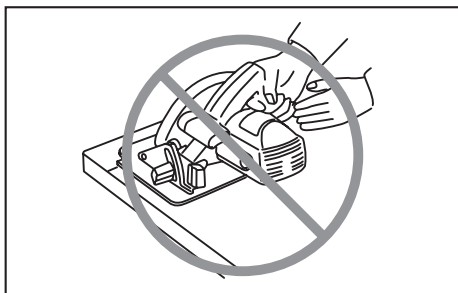
Le recul est le résultat d'une utilisation inadéquate de la scie et/ou de procédures ou conditions d'utilisation incorrectes ; on peut l'éviter en prenant des précautions adéquates, indiquées ci-dessous.

9. **Maintenez une prise ferme à deux mains sur la scie, et placez vos bras de manière à pouvoir résister à la force exercée lors des reculs. Posez votre corps d'un côté ou de l'autre de la lame, jamais dans sa ligne de coupe.** Un recul peut faire sauter la scie vers l'arrière, mais l'utilisateur pourra maîtriser la force exercée par ce recul s'il prend les précautions nécessaires.
10. **Lorsque la lame se coince ou lorsque vous interrompez la coupe pour une raison quelconque, libérez la gâchette et gardez la scie immobile dans le matériau jusqu'à ce que la lame s'arrête parfaitement. N'essayez jamais de retirer la scie de la pièce ou de faire reculer la scie pendant que la lame tourne, autrement il y a risque de choc recul.** Identifiez la cause du coincement de la lame et prenez les mesures correctives pour éliminer le problème.
11. **Avant de faire redémarrer la scie dans la pièce, centrez la lame dans le trait de scie et assurez-vous que les dents de la lame ne mordent pas déjà dans le matériau.** Si la lame est coincée, elle risque de remonter dans le trait de scie ou de causer un recul au moment du redémarrage de la scie.
12. **Les grands panneaux doivent être soutenus pour minimiser les risques de recul causé par le coincement de la lame.** Les grands panneaux ont tendance à s'affaisser sous leur propre poids. Des supports doivent être installés sous le panneau, des deux côtés, près de la ligne de coupe et près du bord du panneau.





13. **N'utilisez jamais les lames émoussées ou endommagées.** Les lames mal affûtées ou mal avoyées produisent un trait de scie étroit qui donne lieu à un frottement excessif, au coincement de la lame et à un recul.
14. **Avant d'effectuer la coupe, les leviers de verrouillage de la profondeur de coupe et de la coupe en biseau doivent être fermement serrés.** Il y a risque de pincement et de recul si les réglages de la lame se modifient pendant coupe.
15. **Soyez particulièrement prudent lors des coupes dans une cloison existante ou tout autre matériau dont l'arrière n'est pas visible.** La lame pourrait rencontrer un objet dur, ce qui provoquerait un recul.
16. **Tenez TOUJOURS l'outil fermement à deux mains. Ne placez JAMAIS vos mains ou vos doigts derrière la scie.** En cas de choc en retour, la scie pourrait alors bondir vers votre main et causer une blessure grave.



17. **Ne forcez jamais la scie. Poussez la scie vers l'avant à une vitesse permettant à la lame de couper sans ralentir.** Le fait de forcer la scie peut causer une coupe inégale, une perte de précision ou un recul.

Fonction du protecteur inférieur

18. **Avant chaque utilisation, assurez-vous que le protecteur inférieur se referme bien. N'utilisez pas la scie si le protecteur inférieur ne se déplace pas librement et ne se ferme pas instantanément. N'immobilisez ou ne fixez jamais le protecteur inférieur en position ouverte.** Le protecteur inférieur risque de plier si la scie est échappée par accident. Soulevez le protecteur inférieur à l'aide de la poignée de rappel et assurez-vous qu'il se déplace librement et n'entre pas en contact avec la lame ni toute autre pièce, quel que soit l'angle et la profondeur de coupe.

19. **Vérifiez le fonctionnement du ressort du protecteur inférieur. Le protecteur et le ressort doivent être réparés avant l'utilisation s'ils ne fonctionnent pas correctement.** Le fonctionnement du protecteur inférieur peut être ralenti par des pièces endommagées, des dépôts collants ou l'accumulation de débris.
20. **Le protecteur inférieur ne doit être escamoté manuellement que pour des coupes particulières comme les « coupes en plongée » et les « coupes composées ».** Soulevez le protecteur inférieur à l'aide de la poignée de rappel et libérez le protecteur inférieur dès que la lame pénètre dans le matériau. Pour toute autre opération de sciage, le protecteur inférieur devrait fonctionner automatiquement.
21. **Assurez-vous toujours que le protecteur inférieur couvre bien la lame avant de déposer l'outil sur l'établi ou sur le sol.** Si la lame n'est pas protégée et n'a pas fini de tourner, elle entraînera la scie vers l'arrière en coupant tout sur son passage. Soyez conscient du temps nécessaire pour que la lame s'arrête après que vous avez relâché la gachette.
22. **Pour vérifier le protecteur inférieur, ouvrez-le à la main, puis relâchez-le et observez sa fermeture. Vérifiez également que la poignée de rappel ne touche pas le boîtier de l'outil.** Laisser la lame à découvert est TRÈS DANGEREUX et comporte un risque de blessure grave.

Consignes de sécurité supplémentaires

23. **Utilisation prévue**
Cet outil est exclusivement destiné à la coupe du bois. Si des copeaux d'autres matériaux s'accumulent sur le protecteur inférieur et le moyeu, cela peut affecter la bonne fermeture du protecteur inférieur et cela pourrait causer de graves blessures.
24. **Redoublez de prudence lorsque vous coupez du bois humide, du bois traité sous pression ou du bois qui contient des nœuds.** Adoptez une vitesse de coupe de telle sorte que l'outil continue d'avancer en douceur, sans que la vitesse de la lame ne diminue, pour éviter la surchauffe de la pointe de la lame.
25. **N'essayez pas de retirer le matériau coupé pendant que la lame tourne. Attendez que la lame s'arrête avant de retirer le matériau coupé.** Les lames tournent en roue libre après la mise hors tension.
26. **Prenez garde aux clous lors de la coupe. Avant la coupe, vérifiez la présence de clous dans le bois et retirez-les le cas échéant.**
27. **Placez la base de la scie sur la partie de la pièce qui est solidement soutenue, non sur celle qui tombera une fois la coupe terminée. À titre d'exemples, la Fig. 1 illustre la BONNE façon de couper l'extrémité d'une planche, tandis que la Fig. 2 illustre la MAUVAISE façon de procéder. Si la pièce est courte ou petite, installez-la dans un dispositif de serrage. N'ESSAYEZ PAS DE TENIR LES COURTES PIÈCES UNIQUEMENT AVEC LA MAIN !**

Fig. 1

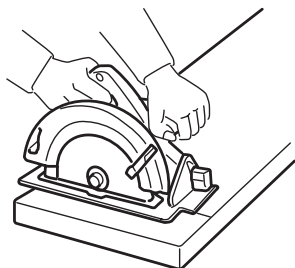
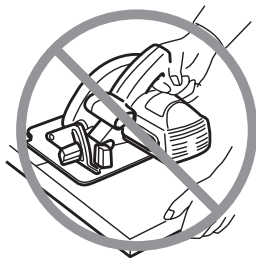


Fig. 2



28. Avant de déposer l'outil une fois la coupe terminée, assurez-vous que le protecteur inférieur s'est refermé et que la lame s'est complètement arrêtée de tourner.
29. Ne tentez jamais de scier en plaçant la scie la tête en bas dans un étau. Cela est très dangereux et peut entraîner de graves accidents.



30. Certains matériaux contiennent des produits chimiques qui peuvent être toxiques. Prenez les précautions nécessaires pour éviter l'inhalation de ces poussières ou leur contact avec la peau. Conformez-vous aux consignes de sécurité du fournisseur du matériau.
31. N'appliquez jamais une pression latérale sur la lame pour l'arrêter.
32. N'utilisez aucune meule abrasive.
33. N'utilisez que la lame dont le diamètre correspond aux indications données sur l'outil ou dans le manuel. L'utilisation d'une lame d'une taille incorrecte peut affecter la protection de la lame ou le fonctionnement du protecteur et cela pourrait causer de graves blessures.

34. **Maintenez la lame affûtée et propre.** Les dépôts de colle et les copeaux de bois durcis sur la lame ralentissent la scie et augmentent les risques de recul. Pour nettoyer la lame, retirez-la d'abord de l'outil, puis utilisez un décapant, de l'eau chaude ou du kérosène pour retirer la colle et les copeaux. N'utilisez jamais d'essence.
35. **Portez un masque antipoussières et des protections d'oreilles** lorsque vous utilisez l'outil.

CONSERVEZ CE MODE D'EMPLOI.

⚠ MISE EN GARDE : NE VOUS LAISSEZ PAS tromper (au fil d'une utilisation répétée) par un sentiment d'aisance ou de familiarité avec le produit en négligeant les consignes de sécurité qui accompagnent le produit. L'utilisation non sécuritaire ou incorrecte de cet outil comporte un risque de blessure grave.

Symboles

Les symboles utilisés pour l'outil sont indiqués ci-dessous.

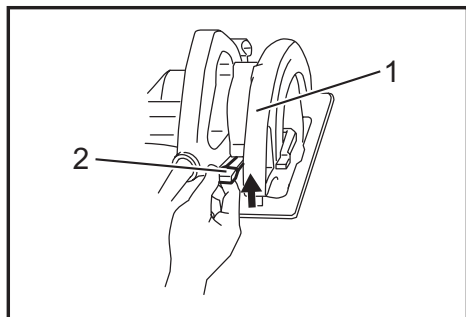
V	volts
A	ampères
	courant alternatif ou continu
n_0	vitesse à vide
	construction, catégorie II
... /min r /min	tours ou alternances par minute

DESCRIPTION DU FONCTIONNEMENT

⚠ ATTENTION :

- Assurez-vous toujours que l'outil est hors tension et débranché avant de l'ajuster ou de vérifier son fonctionnement.

Réglage de la profondeur de coupe



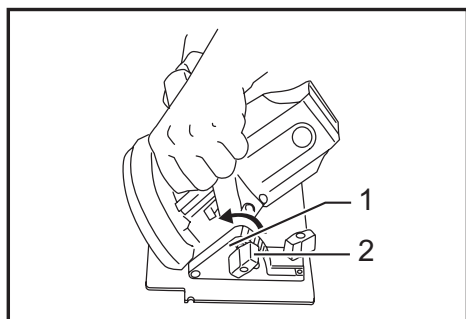
► 1. Guide de profondeur 2. Levier

⚠ ATTENTION :

- Après avoir ajusté la profondeur de coupe, serrez toujours fermement le levier.

Desserrez le levier du guide de profondeur puis déplacez la base vers le haut ou le bas. À la profondeur de coupe désirée, fixez la base en serrant le levier. Pour obtenir des coupes plus propres et sans danger, réglez la profondeur de coupe de sorte que pas plus d'une dent de lame ne dépasse sous la pièce. L'utilisation d'une profondeur de coupe adéquate aide à réduire les risques de chocs en retour dangereux qui peuvent causer des blessures.

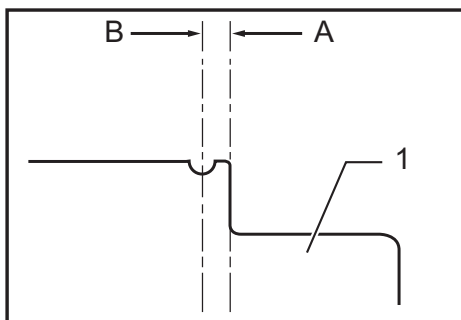
Coupe en biseau



► 1. Plaque graduée de coupe en biseau 2. Vis de serrage

Desserrez la vis de serrage du secteur angulaire à l'avant de la base. Réglez sur l'angle désiré (0° à 45°) en inclinant, puis serrez fermement la vis de serrage.

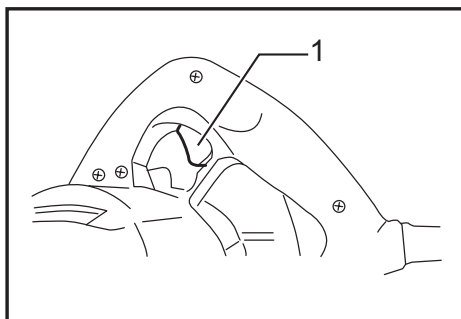
Visée



► 1. Base

Pour les coupes rectilignes, alignez sur la ligne de coupe la position A à l'avant de la base. Pour les coupes en biseau de 45°, alignez la position B sur la ligne de coupe.

Interrupteur



► 1. Gâchette

⚠ ATTENTION :

- Avant de brancher l'outil, assurez-vous toujours que la gâchette fonctionne correctement et revient en position d'arrêt une fois relâchée.

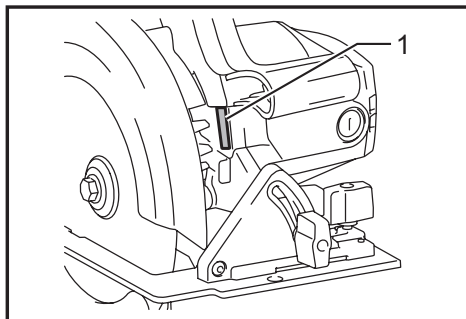
Pour faire démarrer l'outil, appuyez simplement sur la gâchette. Pour l'arrêter, relâchez la gâchette.

Frein électrique

Pour le modèle 5007FA uniquement

Cet outil est équipé d'un frein à lame électrique. Si à plusieurs reprises l'outil ne s'arrête pas rapidement après le relâchement de la gâchette, faites-le réparer dans un centre de service après-vente Makita. Le mécanisme de frein à lame ne doit pas être utilisé en remplacement du garde inférieur. **N'UTILISEZ JAMAIS L'OUTIL LORSQUE LE GARDE INFÉRIEUR NE FONCTIONNE PAS. CELA COMPORTE DES RISQUES DE BLESSURE GRAVE.**

Allumage de la lampe



► 1. Lampe

⚠ ATTENTION :

- Évitez de faire subir des chocs à la lampe. Cela risquerait de l'endommager ou de réduire sa durée de service.
- Évitez de regarder directement le faisceau lumineux ou sa source.

La lampe s'allume lorsque vous branchez l'outil. La lampe demeure allumée jusqu'à ce que vous débranchez l'outil.

NOTE :

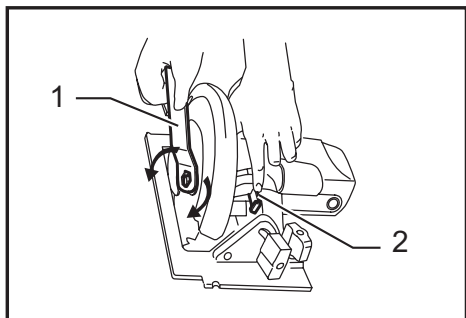
- Utilisez un chiffon sec pour essuyer la saleté qui recouvre la lentille de la lampe. Prenez garde de rayer la lentille de la lampe, pour éviter une diminution de l'éclairage.

ASSEMBLAGE

⚠ ATTENTION :

- Avant d'effectuer toute intervention sur l'outil, assurez-vous toujours qu'il est hors tension et débranché.

Retrait ou pose de la lame



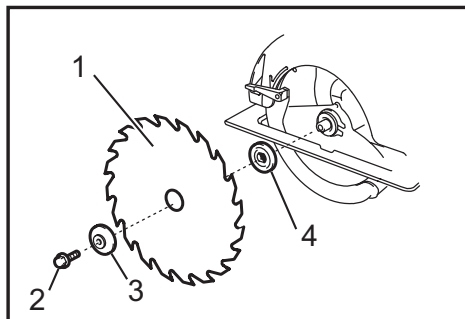
► 1. Clé 2. Verrouillage de l'arbre

⚠ ATTENTION :

- Assurez-vous que la lame est installée avec les dents orientées vers le haut à l'avant de l'outil.
- Utilisez exclusivement une clé Makita pour installer ou retirer la lame.

Pour retirer la lame, appuyez sur le blocage de l'arbre de sorte que la lame ne puisse pas tourner et utilisez la clé pour desserrer le boulon hexagonal en le tournant dans le sens inverse des aiguilles d'une montre. Retirez ensuite le boulon hexagonal, le flasque extérieur et la lame.

Pour poser la lame, suivez la procédure de retrait en sens inverse. ASSUREZ-VOUS D'AVOIR FERMEMENT SERRÉ LE BOULON HEXAGONAL, DANS LE SENS DES AIGUILLES D'UNE MONTRE.

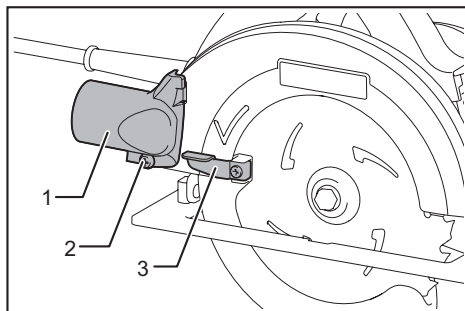


► 1. Lame 2. Boulon hexagonal 3. Bague externe
4. Bague interne

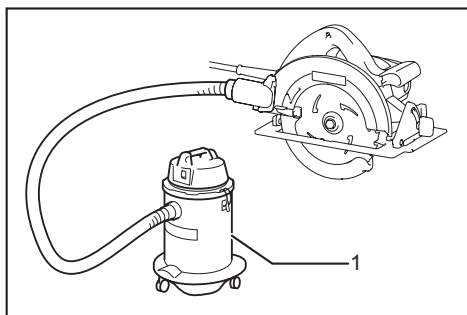
Lors du changement de la lame, assurez-vous de nettoyer les copeaux présents sur les protecteurs de lame supérieur et inférieur, comme indiqué dans la section Entretien. Il est également nécessaire de vérifier le fonctionnement du protecteur inférieur avant chaque utilisation.

Raccordement à un aspirateur

(Accessoire en option dans certains pays)



► 1. Raccord à poussières 2. Vis 3. Levier



► 1. Aspirateur

Pour effectuer un travail de coupe propre, raccordez un aspirateur Makita à l'outil.

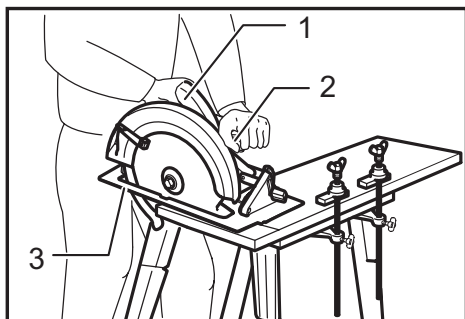
Installez le raccord à poussières sur l'outil à l'aide de la vis. Raccordez ensuite le tuyau de l'aspirateur au raccord à poussières, comme sur l'illustration.

Pour les outils qui ne sont pas équipés d'un raccord à poussières dans leur configuration standard, placez le levier fixé sur le protecteur inférieur sur celui situé sur le raccord à poussières (accessoire en option) lors de l'installation du raccord à poussières. Sinon, la coupe sera impossible, car les mouvements du protecteur inférieur seront entravés par le raccord à poussières.

UTILISATION

⚠ ATTENTION :

- Assurez-vous de déplacer l'outil doucement vers l'avant, en ligne droite. Le fait de forcer ou de tordre l'outil entraînera une surchauffe du moteur et un dangereux choc en retour, risquant de provoquer une blessure grave.

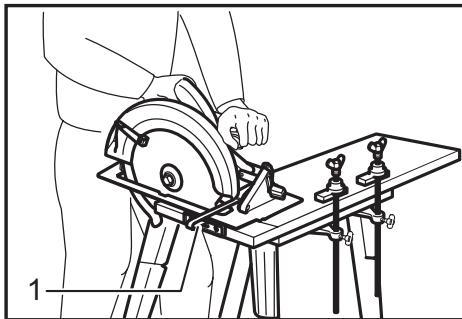


► 1. Poignée arrière 2. Poignée avant 3. Base

Tenez l'outil fermement. L'outil est équipé d'une poignée avant et d'une poignée arrière. Utilisez les deux poignées pour assurer la meilleure prise possible sur l'outil. De plus, lorsque la scie est saisie à deux mains, celles-ci ne risquent pas d'être coupées par la lame. Placez la base de l'outil sur la pièce à couper de sorte que la lame n'entre pas en contact avec quoi que ce soit. Mettez ensuite l'outil sous tension et attendez que la lame ait atteint sa pleine vitesse. Faites alors simplement avancer l'outil sur la surface de la pièce, en le maintenant de niveau et en le faisant avancer doucement jusqu'à ce que la coupe soit terminée.

Pour obtenir des coupes nettes, maintenez votre ligne de coupe bien droite et la vitesse de progression uniforme. Si la lame dévie de la ligne de coupe prévue, ne tentez pas de modifier la course de l'outil pour le forcer à revenir sur la ligne de coupe. Vous risqueriez de plier la lame et de provoquer un dangereux choc en retour pouvant causer une blessure grave. Relâchez la gâchette, attendez jusqu'à l'arrêt complet de la lame, puis retirez l'outil. Réalignez l'outil sur une nouvelle ligne de coupe, puis poursuivez la coupe. Évitez toute position vous exposant aux copeaux et sciures de bois éjectés par la scie. Portez des lunettes de protection pour réduire les risques de blessure.

Garde parallèle (règle de guidage) (accessoire en option)



► 1. Garde parallèle (règle de guidage)

Un garde parallèle pratique vous permet d'effectuer des coupes droites d'une extrême précision. Faites simplement glisser le garde parallèle le long du côté de la pièce en le maintenant en position à l'aide de la vis de serrage située à l'avant de la base. Cela permet également d'effectuer plusieurs coupes d'une largeur uniforme.

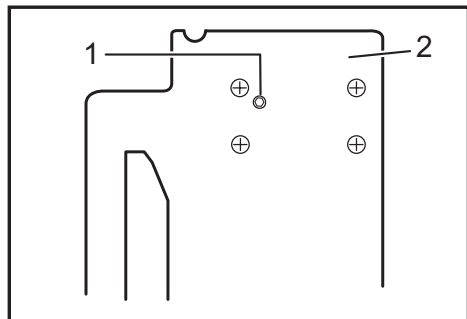
ENTRETIEN

⚠ ATTENTION :

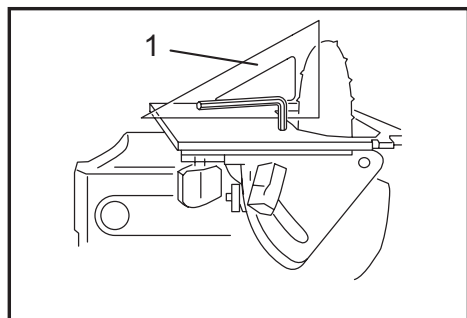
- Assurez-vous toujours que l'outil est hors tension et débranché avant d'y effectuer tout travail d'inspection ou d'entretien.
- Nettoyez les protecteurs supérieur et inférieur pour vérifier l'absence de copeaux, qui pourraient entraver le fonctionnement du système de protection inférieur.** Un système de protection sale pourra ne pas fonctionner correctement et cela pourrait causer de graves blessures. La manière la plus efficace pour effectuer ce nettoyage consiste à utiliser de l'air comprimé. **Si de la poussière est soufflée hors des protecteurs, assurez-vous de porter une protection oculaire et respiratoire adaptée.**
- N'utilisez jamais d'essence, de benzine, de solvant, d'alcool ou d'autres produits similaires. Une décoloration, une déformation, ou la formation de fissures peuvent en découler.

Réglage de précision pour les coupes de 90° (coupes à angle droit)

Ce réglage est effectué en usine. S'il est désactivé, ajustez la vis de réglage au moyen d'une clé hexagonale, en plaçant la lame sur un angle droit par rapport à la base avec une règle triangulaire, une équerre de menuisier, etc.

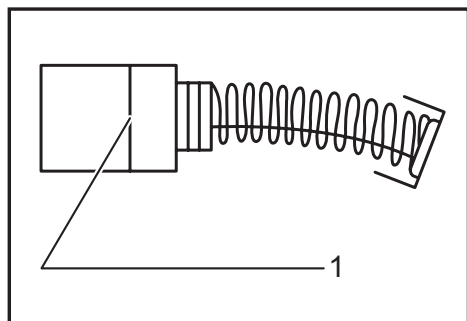


► 1. Vis de réglage 2. Base



► 1. Règle triangulaire

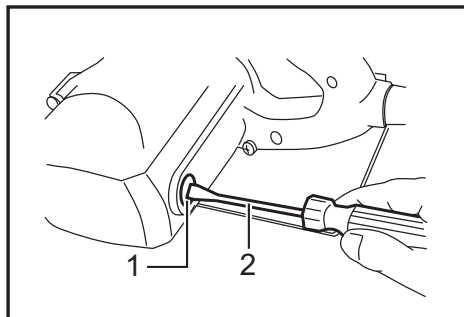
Remplacement des charbons



► 1. Trait de limite d'usure

Retirez et vérifiez régulièrement les charbons. Remplacez-les lorsqu'ils sont usés jusqu'au trait de limite d'usure. Maintenez les charbons propres et en état de glisser aisément dans les porte-charbon. Les deux charbons doivent être remplacés en même temps. N'utilisez que des charbons identiques.

Utilisez un tournevis pour retirer les bouchons de porte-charbon. Enlevez les charbons usés, insérez-en de nouveaux et revissez solidement les bouchons de porte-charbon.



► 1. Bouchon de porte-charbon 2. Tournevis

Pour le modèle 5007FA uniquement

Après avoir remplacé les charbons, branchez l'outil et rodez les brosses en faisant fonctionner l'outil à vide pendant environ 10 minutes. Vérifiez ensuite le bon fonctionnement de l'outil, ainsi que l'activation du frein électrique lors du relâchement de la gâchette. Si le frein électrique ne fonctionne pas bien, faites une demande de réparation auprès du centre de service après-vente Makita le plus près. Pour maintenir la SÉCURITÉ et la FIABILITÉ du produit, les réparations, tout autre travail d'entretien ou de réglage doivent être effectués dans un centre de service Makita agréé ou un centre de service de l'usine Makita, exclusivement avec des pièces de rechange Makita.

ACCESSOIRES EN OPTION

⚠ ATTENTION :

- Ces accessoires ou pièces complémentaires sont recommandés pour l'utilisation avec l'outil Makita spécifié dans ce mode d'emploi. L'utilisation de tout autre accessoire ou pièce complémentaire peut comporter un risque de blessure. N'utilisez les accessoires ou pièces qu'aux fins auxquelles ils ont été conçus.

Si vous désirez obtenir plus de détails concernant ces accessoires, veuillez contacter le centre de service après-vente Makita le plus près.

- Lames à dents d'acier et de carbure de tungstène

Combinaison	Lame d'usage général pour effectuer rapidement et en douceur des coupes longitudinales, des coupes en travers et des coupes d'onglet.
Bois traité sous pression et bois humide	Conçues pour la coupe rapide du bois traité sous pression et du bois humide.
Coupes en travers de précision	Pour des coupes propres et sans ponçage dans le sens opposé au grain.

- Garde parallèle (règle de guidage)
- Clé 13

NOTE :

- Certains éléments de la liste peuvent être inclus avec l'outil comme accessoires standard. Ils peuvent varier suivant les pays.

GARANTIE LIMITÉE MAKITA


Pour les conditions de garantie en vigueur qui s'appliquent à ce produit, veuillez vous reporter à la feuille de garantie en annexe. Si la feuille de garantie en annexe n'est pas disponible, reportez-vous aux détails de la garantie présentés sur le site Web de votre pays, ci-dessous.

États-Unis d'Amérique: www.makitatools.com

Canada: www.makita.ca

Autres pays: www.makita.com

ESPECIFICACIONES

Modelo	5007F/5007FA	
Especificaciones eléctricas en México	120 V  15 A 50/60 Hz	
Diámetro del disco	185 mm (7-1/4")	
Profundidad de corte máxima	a 90°	60 mm (2-3/8")
	a 45°	46 mm (1-3/4")
Velocidad sin carga (r.p.m.)	5 800 r/min.	
Longitud total	305 mm (12")	
Peso neto	5,0 kg (11,1 lbs)	

- Debido a nuestro programa continuo de investigación y desarrollo, las especificaciones aquí dadas están sujetas a cambios sin previo aviso.
- Las especificaciones pueden ser diferentes de país a país.
- Peso de acuerdo al procedimiento de EPTA-01/2003

Advertencias de seguridad generales para herramientas eléctricas

⚠ADVERTENCIA: lea todas las advertencias de seguridad e instrucciones. Si no sigue todas las advertencias e instrucciones indicadas a continuación, podrá ocasionar una descarga eléctrica, un incendio y/o lesiones graves.

Guarde todas las advertencias e instrucciones para su futura referencia.

El término "herramienta eléctrica" se refiere, en todas las advertencias que aparecen a continuación, a su herramienta eléctrica de funcionamiento con conexión a la red eléctrica (con cableado eléctrico) o herramienta eléctrica de funcionamiento a batería (inalámbrica).

Seguridad en el área de trabajo

1. **Mantenga el área de trabajo limpia y bien iluminada.** Las áreas oscuras o desordenadas son propensas a accidentes.
2. **No utilice las herramientas eléctricas en atmósferas explosivas, tal como en la presencia de líquidos, gases o polvo inflamables.** Las herramientas eléctricas crean chispas que pueden prender fuego al polvo o los humos.
3. **Mantenga a los niños y curiosos alejados mientras utiliza una herramienta eléctrica.** Las distracciones le pueden hacer perder el control.

Seguridad eléctrica

4. **Las clavijas de conexión de las herramientas eléctricas deberán encajar perfectamente en la toma de corriente. No modifique nunca la clavija de conexión de ninguna forma. No utilice ninguna clavija adaptadora con herramientas eléctricas que tengan conexión a tierra (puesta a tierra).** La utilización de clavijas no modificadas y que encajen perfectamente en la toma de corriente reducirá el riesgo de que se produzca una descarga eléctrica.

5. **Evite tocar con el cuerpo superficies conectadas a tierra o puestas a tierra tales como tubos, radiadores, cocinas y refrigeradores.** Si su cuerpo es puesto a tierra o conectado a tierra existirá un mayor riesgo de que sufra una descarga eléctrica.
6. **No exponga las herramientas eléctricas a la lluvia ni a condiciones húmedas.** La entrada de agua en una herramienta eléctrica aumentará el riesgo de que se produzca una descarga eléctrica.
7. **No jale el cable. Nunca utilice el cable para transportar, jalar o desconectar la herramienta eléctrica.** Mantenga el cable alejado del calor, aceite, objetos cortantes o piezas móviles. Los cables dañados o atrapados aumentan el riesgo de sufrir una descarga eléctrica.
8. **Cuando utilice una herramienta eléctrica en exteriores, utilice un cable de extensión apropiado para uso en exteriores.** La utilización de un cable apropiado para uso en exteriores reducirá el riesgo de que se produzca una descarga eléctrica.
9. **Si no es posible evitar usar una herramienta eléctrica en condiciones húmedas, utilice un alimentador protegido con interruptor de circuito de falla en tierra (ICFT).** El uso de un ICFT reduce el riesgo de descarga eléctrica.

Seguridad personal

10. **Manténgase alerta, preste atención a lo que está haciendo y utilice su sentido común cuando opere una herramienta eléctrica. No utilice la herramienta eléctrica cuando esté cansado o bajo la influencia de drogas, alcohol o medicamentos.** Un momento de distracción mientras opera la máquina puede dar como resultado heridas personales graves.
11. **Use equipo de protección personal. Póngase siempre protección para los ojos.** El equipo protector tal como máscara contra el polvo, zapatos de seguridad antiderrapantes, casco rígido y protección para oídos utilizado en las condiciones apropiadas reducirá las heridas personales.

12. **Impida el encendido accidental. Asegúrese de que el interruptor esté en la posición de apagado antes de conectar a la alimentación eléctrica y/o de colocar el cartucho de la batería, así como al levantar o cargar la herramienta.** Cargar las herramientas eléctricas con su dedo en el interruptor o conectarlas con el interruptor encendido hace que los accidentes sean propensos.
 13. **Retire cualquier llave de ajuste o llave de apriete antes de encender la herramienta.** Una llave de ajuste o llave de apriete que haya sido dejada puesta en una parte giratoria de la herramienta eléctrica podrá resultar en heridas personales.
 14. **No utilice la herramienta donde no alcance. Mantenga los pies sobre suelo firme y el equilibrio en todo momento.** Esto permite un mejor control de la herramienta eléctrica en situaciones inesperadas.
 15. **Use vestimenta apropiada. No use ropas sueltas ni joyas. Mantenga el cabello, la ropa y los guantes alejados de las partes móviles, ya que pueden ser atrapadas por estas partes en movimiento.**
 16. **Si dispone de dispositivos para la conexión de equipos de extracción y recolección de polvo, asegúrese de conectarlos y utilizarlos debidamente.** La utilización de estos dispositivos reduce los riesgos relacionados con el polvo.
- Mantenimiento y uso de la herramienta eléctrica**
17. **No fuerce la herramienta eléctrica. Utilice la herramienta eléctrica correcta para su aplicación.** La herramienta eléctrica adecuada hará un trabajo mejor a la velocidad para la que ha sido fabricada.
 18. **No utilice la herramienta eléctrica si el interruptor no la enciende y apaga.** Cualquier herramienta eléctrica que no pueda ser controlada con el interruptor es peligrosa y debe ser reemplazada.
 19. **Desconecte la clavija de la fuente de energía y/o la batería de la herramienta eléctrica antes de realizar ajustes, cambiar accesorios o guardar las herramientas eléctricas.** Dichas medidas de seguridad preventivas reducen el riesgo de que la herramienta se inicie accidentalmente.
 20. **Guarde la herramienta eléctrica que no use fuera del alcance de los niños y no permita que las personas que no están familiarizadas con ella o con las instrucciones la operen.** Las herramientas eléctricas son peligrosas en manos de personas que no saben operarlas.
 21. **Realice el mantenimiento a las herramientas eléctricas. Compruebe que no haya partes móviles desalineadas o estancadas, piezas rotas y cualquier otra condición que pueda afectar al funcionamiento de la herramienta eléctrica. Si la herramienta eléctrica está dañada, haga que se la reparen antes de utilizarla.** Muchos accidentes son ocasionados por herramientas eléctricas con un mal mantenimiento.
 22. **Mantenga las herramientas de corte limpias y filosas.** Si recibe un mantenimiento adecuado y tiene los bordes afilados, es probable que la herramienta se atasque menos y sea más fácil controlarla.
 23. **Utilice la herramienta eléctrica, así como accesorios, piezas, brocas, etc. de acuerdo con estas instrucciones y de la manera establecida para cada tipo de unidad en particular; tenga en cuenta las condiciones laborales y el trabajo a realizar.** Si utiliza la herramienta eléctrica para realizar operaciones distintas de las indicadas, podrá presentarse una situación peligrosa.

Servicio de mantenimiento

24. **Haga que una persona calificada repare la herramienta utilizando sólo piezas de repuesto idénticas.** Esto asegura que se mantenga la seguridad de la herramienta eléctrica.
25. **Siga las instrucciones para la lubricación y cambio de accesorios.**
26. **Mantenga las agarraderas secas, limpias y sin aceite o grasa.**

UTILICE CABLES DE EXTENSIÓN APROPIADOS.

Asegúrese de que su cable de extensión esté en buenas condiciones. Cuando utilice un cable de extensión, asegúrese de utilizar uno del calibre suficiente para conducir la corriente que demande el producto. Un cable de calibre inferior ocasionará una caída en la tensión de línea y a su vez en una pérdida de potencia y sobrecalentamiento. La Tabla 1 muestra la medida correcta a utilizar dependiendo de la longitud del cable y el amperaje nominal indicado en la placa de características. Si no está seguro, utilice el siguiente calibre más alto. Cuanto menor sea el número de calibre, más corriente podrá conducir el cable.

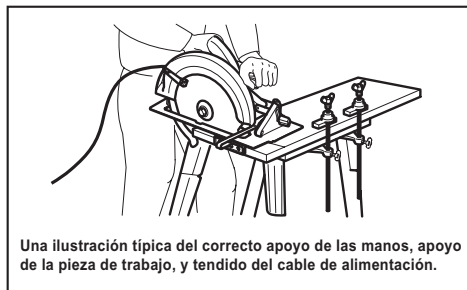
Tabla 1. Calibre mínimo para el cable

Amperaje nominal		Volts	Longitud total del cable en metros			
		120V~	7,6 m (25 ft)	15,2 m (50 ft)	30,4 m (100 ft)	45,7 m (150 ft)
			220V~ - 240V~	15,2 m (50 ft)	30,4 m (100 ft)	60,8 m (200 ft)
Más de	No más de	Calibre del cable (AWG)				
0 A	6 A	/	18	16	16	14
6 A	10 A		18	16	14	12
10 A	12 A		16	16	14	12
12 A	16 A		14	12	No se recomienda	

ADVERTENCIAS DE SEGURIDAD PARA LA SIERRA CIRCULAR

Procedimientos de corte

1. **⚠ PELIGRO:** Mantenga las manos alejadas del área de corte y del disco. Mantenga su segunda mano sobre el mango auxiliar o sobre el alojamiento del motor. Si ambas manos sujetan la sierra no pueden sufrir cortes del disco.
2. **Nunca meta la mano por debajo de la pieza de trabajo.** El protector no puede protegerle del disco debajo de la pieza de trabajo.
3. **Ajuste la profundidad de corte al grosor de la pieza de trabajo.** Debe verse menos de un diente completo por debajo de la pieza de trabajo.
4. **Nunca sujete la pieza que se está cortando con las manos ni entre las piernas. Fije la pieza de trabajo a una plataforma estable.** Es importante sujetar la pieza de trabajo correctamente para minimizar la exposición del cuerpo, el estancamiento del disco o la pérdida de control.



Una ilustración típica del correcto apoyo de las manos, apoyo de la pieza de trabajo, y tendido del cable de alimentación.

5. **Sujete la herramienta eléctrica sólo por las superficies de agarre aisladas al realizar una operación en la que la herramienta de corte pueda entrar en contacto con cables ocultos o con su propio cable.** Si entra en contacto con un cable con corriente, las piezas metálicas expuestas de la herramienta eléctrica se cargarán también de corriente y el operario puede recibir una descarga.
6. **Cuando realice un corte longitudinal, utilice siempre un tope lateral o una guía de borde recto.** Esto mejora la precisión del corte y reduce la posibilidad de que el disco se atasque.
7. **Utilice siempre discos con orificios de husillo del tamaño y la forma (poligonal o redonda) correctos.** Los discos que no encajen con las piezas de montaje de la sierra girarán excéntrica y producirán una pérdida de control.
8. **Nunca utilice arandelas o pernos de disco dañados o incorrectos.** El perno y las arandelas del disco se han diseñado específicamente para el mismo, para una seguridad y un rendimiento óptimos.

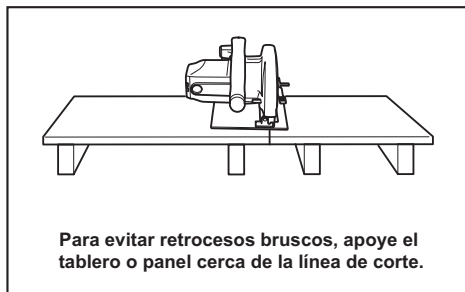
Causas de los retrocesos y advertencias relacionadas

- un retroceso brusco es una reacción repentina provocada por un disco mal alineado, alabeado o mellado, que hace que una sierra se levante de forma incontrolada y se aleje de la pieza de trabajo hacia el operador;

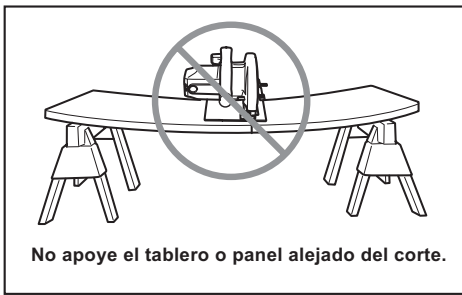
- cuando el disco está mellado o aprisionado por la entalladura al cerrarse, se atasca y la reacción del motor empuja la unidad rápidamente hacia atrás, hacia el operador;
- si el disco se retuerce o está mal alineado en el corte, los dientes del borde posterior del disco pueden clavarse en la superficie posterior de la madera, haciendo que el disco escale la línea de corte y salte hacia el operador.

El retroceso es el resultado de un mal uso del disco o de condiciones o procedimientos de uso incorrectos y se puede evitar tomando las precauciones que se indican a continuación.

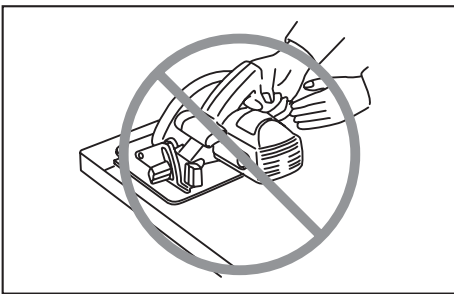
9. **Sujete la sierra firmemente con las dos manos y coloque sus brazos de forma que ofrezcan resistencia a la fuerza del retroceso. Coloque su cuerpo hacia cualquiera de los lados del disco, pero no en línea con él.** El retroceso puede provocar que la sierra salte hacia atrás; no obstante, el operador puede controlar la fuerza del retroceso si toma las precauciones adecuadas.
10. **Cuando note que el disco se atora, o cuando quiera interrumpir un corte por cualquier razón, suelte el gatillo y mantenga la sierra inmóvil en el material hasta que el disco se pare completamente. No intente nunca extraer el disco de la pieza de trabajo ni tirar de la sierra hacia atrás mientras el disco esté moviéndose porque podrá ocasionar un retroceso brusco.** Investigue y tome medidas correctivas para eliminar la causa del atoramiento del disco.
11. **Cuando vuelva a poner en marcha la sierra sobre la pieza de trabajo, centre la sierra en la entalladura y compruebe que sus dientes no estén en contacto con el material.** Si el disco se trava, podrá haber un retroceso brusco o un avance en la pieza al reiniciar la sierra.
12. **Sujete los paneles grandes para minimizar el riesgo de que el disco se estanque y de retroceso.** Los paneles grandes tienden a hundirse bajo su propio peso. Deben colocarse soportes bajo el panel en ambos lados, cerca de la línea de corte y del borde del panel.



Para evitar retrocesos bruscos, apoye el tablero o panel cerca de la línea de corte.



13. **No utilice discos dañados o desafilados.** Las discos colocados incorrectamente o desafilados producen un corte más angosto y causan una fricción excesiva, que el disco se doble y retrocesos bruscos.
14. **Las palancas de fijación de los ajustes de profundidad y de bisel del disco deben ser apretadas y aseguradas antes de realizar el corte.** Si el ajuste del disco cambia durante el corte, podrá ocasionar un atoramiento y retroceso brusco.
15. **Tenga especial cuidado cuando realice cortes con sierra en paredes u otras áreas ciegas.** El disco protuberante puede cortar objetos que pueden provocar retrocesos.
16. **Sujete SIEMPRE la herramienta firmemente con ambas manos. No ponga NUNCA la mano ni los dedos detrás de la sierra.** Si se produce un retroceso brusco, la sierra podrá saltar fácilmente hacia atrás sobre su mano, causándole graves heridas personales.



17. **Nunca fuerce la sierra. Empuje la sierra hacia adelante a una velocidad a la que el disco corte sin desacelerarse.** Forzar la sierra durante el corte puede producir cortes desiguales, perder precisión y posiblemente generar un retroceso brusco.

Función del protector inferior (guarda del disco)

18. **Compruebe si el protector inferior está bien cerrado antes de cada uso. No utilice la sierra si el protector inferior no se mueve libremente y se cierra instantáneamente. Nunca sujete ni mantenga el protector inferior en la posición abierta.** Si la sierra cae accidentalmente, la protección inferior se puede doblar. Levante el protector inferior con el mango retráctil y asegúrese de que se mueve libremente y de que no hace contacto con el disco ni con ninguna otra pieza en todos los ángulos y profundidades del corte.

19. **Compruebe el funcionamiento del muelle del protector inferior. Si el protector y el muelle no funcionan correctamente, deben repararse antes de utilizar la herramienta.** El protector inferior puede funcionar con lentitud debido a partes dañadas, depósitos de goma o acumulación de suciedad.
20. **El protector inferior debe retraerse manualmente solamente para cortes especiales como “cortes de cavidad” y “cortes compuestos.” Levante el protector inferior mediante el mango retráctil y cuando el disco entre en el material, debe soltar el protector inferior.** Para todos los otros cortes con sierra, el protector inferior debe funcionar automáticamente.
21. **Antes de dejar la sierra en el banco o en el suelo, observe siempre que el protector inferior esté cubriendo el disco.** Un disco desprotegido, girando por inercia, hará que la sierra se desplace hacia atrás, cortando todo lo que encuentre a su paso. Tenga presente el tiempo que el disco tarda en detenerse después de soltar el interruptor.
22. **Para comprobar el protector inferior, ábralo a mano, suéltelo y compruebe si se cierra. Compruebe también que el mango retráctil no toque el alojamiento de la herramienta.** Dejar el disco expuesto es MUY PELIGROSO y puede provocar graves lesiones personales.

Advertencias de seguridad adicionales

23. **Uso intencionado**
Esta herramienta está diseñada para cortar elementos de madera solamente. La acumulación de aserrín e el protector inferior, así como la concentración de otros residuos puede que afecte el cerrado correcto del protector inferior, lo cual puede resultar en graves lesiones al operador.
24. **Proceda con extrema precaución al cortar madera húmeda, tratada a presión o con nudos.** Mantenga un avance plano y suave de la herramienta sin reducir la velocidad del disco para evitar el sobrecalentamiento de las puntas del mismo.
25. **No intente retirar material cortado cuando el disco se está moviendo. Espere hasta que el disco se detenga antes de recoger el material cortado.** Los discos siguen girando por inercia después de apagar la herramienta.
26. **Evite cortar clavos. Inspeccione la madera y quite todos los clavos antes de realizar el corte.**
27. **Coloque la parte más ancha de la base de la sierra sobre la pieza de trabajo que está sujeta solidamente, no sobre la sección que caerá cuando se realice el corte.** Como ejemplos, la figura 1 ilustra la manera CORRECTA de cortar el extremo de un tablero y la figura 2 la manera INCORRECTA. Si la pieza de trabajo es corta o pequeña, fíjela. ¡NO INTENTE SUJETAR PIEZAS PEQUEÑAS A MANO!

Fig. 1

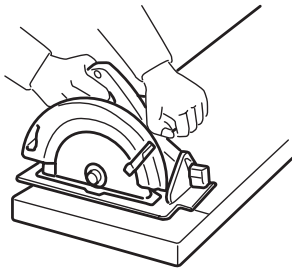
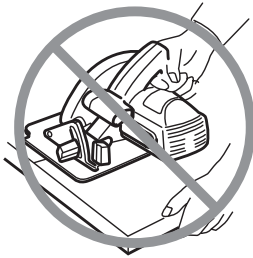
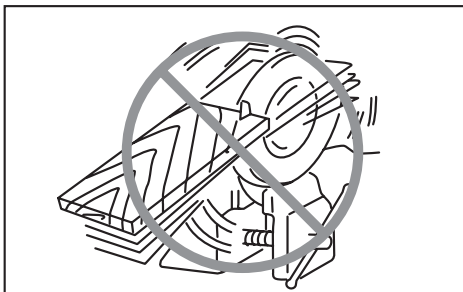


Fig. 2



28. Antes de depositar la herramienta tras realizar un corte, asegúrese de que el protector inferior esté cerrado y de que el disco se haya detenido por completo.
29. Nunca intente serrar con la sierra circular boca arriba en un torno de banco. Es extremadamente peligroso y puede conllevar accidentes graves.



30. Algunos materiales contienen sustancias químicas que pueden ser tóxicas. Tome precauciones para evitar la inhalación de polvo o que éste tenga contacto con la piel. Consulte la información de seguridad del proveedor de los materiales.
31. No detenga el disco de la sierra mediante presión lateral sobre el mismo.
32. No use ningún disco abrasivo.
33. Use solamente un disco de sierra cuyo diámetro esté marcado en la herramienta o especificado en el manual. El uso de un disco de sierra de tamaño inadecuado puede que afecte la protección del disco o del protector en sí, lo cual podría resultar en graves lesiones al operador.

34. Mantenga el disco afilado y limpio. La cola y la resina de madera endurecidas en el disco frenan la sierra y aumentan las posibilidades de que se produzcan retrocesos bruscos. Mantenga limpio el disco quitándolo de la herramienta y limpiándolo con eliminador de resina y goma, agua caliente o querosén. Nunca utilice gasolina.
35. Utilice una mascarilla antipolvo y protección para los oídos cuando utilice la herramienta.

GUARDE ESTAS INSTRUCCIONES.

⚠ADVERTENCIA: NO DEJE que la comodidad o familiaridad con el producto (a base de utilizarlo repetidamente) sustituya la estricta observancia de las normas de seguridad para dicho producto. El MAL USO o el no seguir las normas de seguridad establecidas en este manual de instrucciones puede ocasionar graves lesiones personales.

Símbolos

A continuación se muestran los símbolos utilizados para la herramienta.

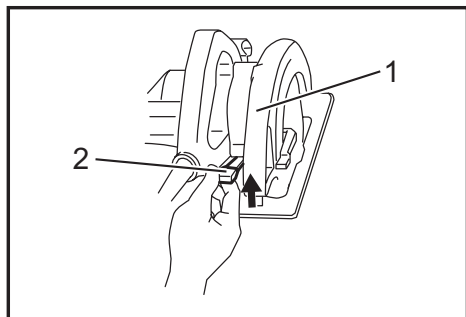
V	volts o voltios
A	ampere o amperio
	corriente alterna o directa
n.	velocidad en vacío o sin carga
	Construcción clase II
.../min r/min	revoluciones o alternaciones por minuto, frecuencia de rotación.

DESCRIPCIÓN DEL FUNCIONAMIENTO

⚠️ PRECAUCIÓN:

- Asegúrese siempre de que la herramienta esté apagada y desconectada antes de ajustar o comprobar cualquier función en la misma.

Ajuste de la profundidad de corte



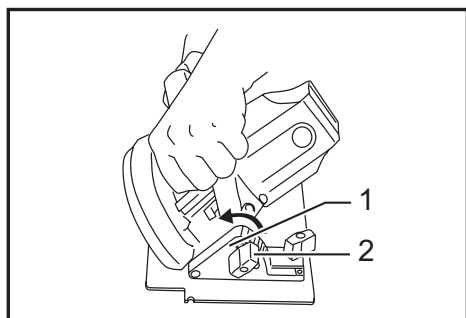
► 1. Guía de profundidad 2. Palanca

⚠️ PRECAUCIÓN:

- Después de ajustar la profundidad de corte, apriete siempre la palanca firmemente.

Afije la palanca de la guía de profundidad y mueva la base hacia arriba o hacia abajo. En la profundidad de corte deseada, fije la base apretando la palanca. Para obtener cortes más limpios y seguros, ajuste la profundidad de corte de forma que no sobresalga más de un diente del disco de sierra por debajo de la pieza de trabajo. La utilización de una profundidad de corte apropiada ayuda a reducir la posibilidad de que se produzcan peligrosos RETROCESOS BRUSCOS que pueden ocasionar heridas personales.

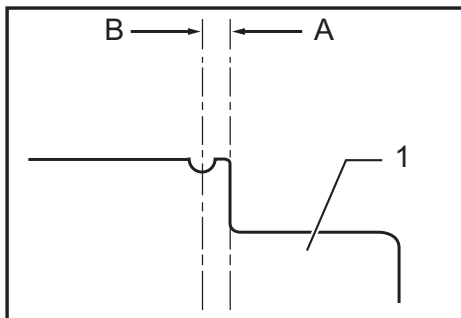
Corte en bisel



► 1. Placa de la escala de bisel 2. Tornillo de fijación

Afije el tornillo de apriete de la placa de la escala de bisel en la parte delantera de la base. Ajuste el ángulo deseado (0° - 45°) inclinando según corresponda, después gire el tornillo de apriete y asegure firmemente.

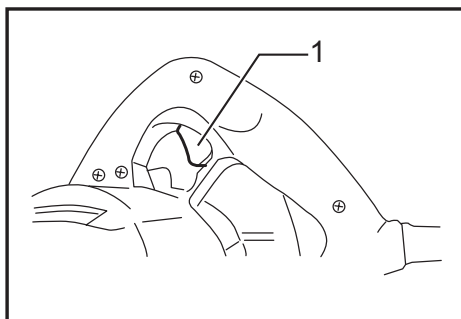
Guía visual



► 1. Base

Para cortes rectos, alinee la posición A de la parte delantera de la base con la línea de corte. Para cortes en bisel a 45°, alinee la posición B con la misma.

Accionamiento del interruptor



► 1. Gatillo interruptor

⚠️ PRECAUCIÓN:

- Antes de conectar la herramienta, compruebe siempre que el gatillo interruptor se acciona debidamente y que vuelve a la posición "OFF" (apagado) cuando lo suelta.

Para comenzar a utilizar la herramienta, simplemente presione el gatillo interruptor. Suéltelo para detenerla.

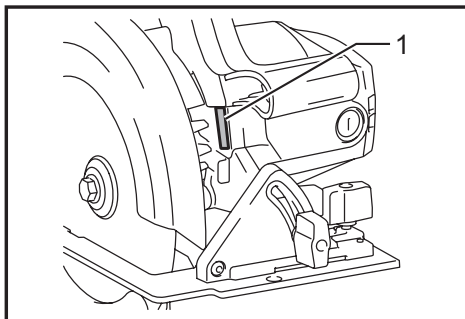
Freno eléctrico

Para el modelo 5007FA solamente

Esta herramienta está equipada con un freno eléctrico para el disco. Si sistemáticamente ocurre que al soltar el gatillo interruptor el disco no se detiene de inmediato, envíe la herramienta al centro de servicio Makita para su reparación.

El sistema de freno del disco no es un sustituto del protector de disco inferior. NO UTILICE NUNCA LA HERRAMIENTA SI EL PROTECTOR INFERIOR NO FUNCIONA BIEN. PODRÍA SUFRIR HERIDAS PERSONALES.

Encendido de la lámpara



► 1. Lámpara

⚠PRECAUCIÓN:

- No golpee la luz indicadora, ya que esto podría causar daños o disminuir la vida útil de ésta.
- No mire a la luz ni vea la fuente de luz directamente.

La lámpara se enciende al conectar la herramienta. La lámpara continúa iluminando hasta que sea desconectada.

NOTA:

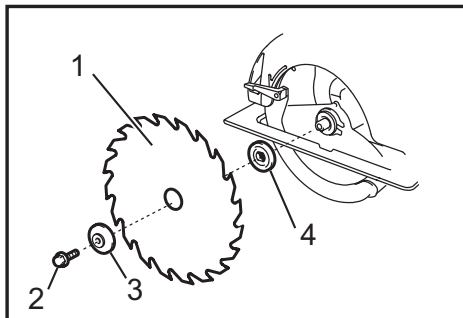
- Utilice un paño seco para quitar la suciedad de la lente de la lámpara. Tenga cuidado de no rayar la lente de la lámpara, porque podrá disminuir la iluminación.

⚠PRECAUCIÓN:

- Asegúrese de que el disco esté instalado con los dientes orientados hacia arriba en la parte delantera de la herramienta.
- Utilice solamente la llave Makita para instalar o desmontar el disco.

Para quitar el disco, presione el bloqueo del eje de forma que el disco no pueda girar y afloje el perno hexagonal girándolo hacia la izquierda con la llave. Después quite el perno hexagonal, brida exterior y disco.

Para instalar el disco, siga el procedimiento de desmontaje a la inversa. **ASEGÚRESE DE APRETAR EL PERNO HEXAGONAL HACIA LA DERECHA FIRMEMENTE.**



► 1. Disco de sierra 2. Tornillo hexagonal 3. Brida exterior 4. Brida interior

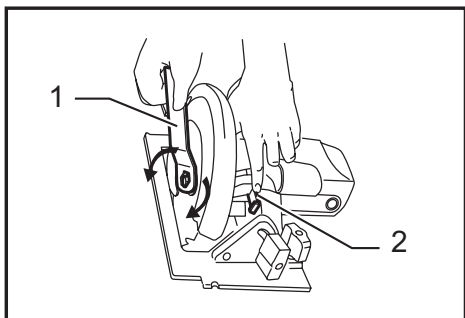
Al cambiar el disco, asegúrese de también limpiar eliminando el aserrín acumulado de los protectores de discos inferior y superior, como se indica en la sección de Mantenimiento. Dicha acción no reemplaza la necesidad de revisar el protector inferior antes de cada uso.

ENSAMBLE

⚠PRECAUCIÓN:

- Asegúrese siempre de que la herramienta esté apagada y desconectada antes de realizar cualquier trabajo en la misma.

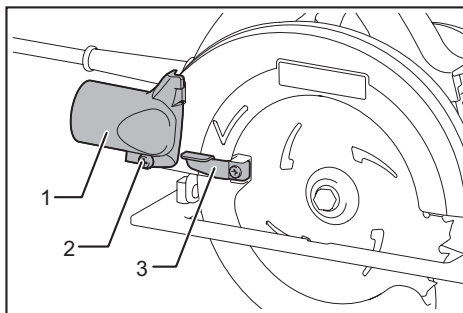
Desmontaje o instalación del disco de sierra



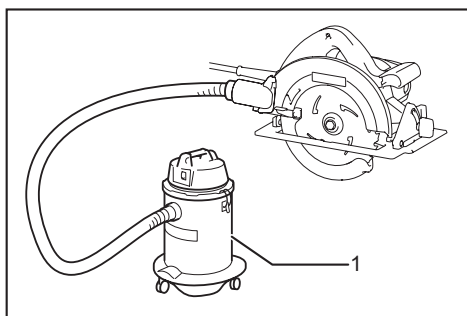
► 1. Llave 2. Bloqueo del eje

Conexión de un aspirador

(Accesorio opcional en algunos países)



► 1. Boquilla para polvo 2. Tornillo 3. Palanca



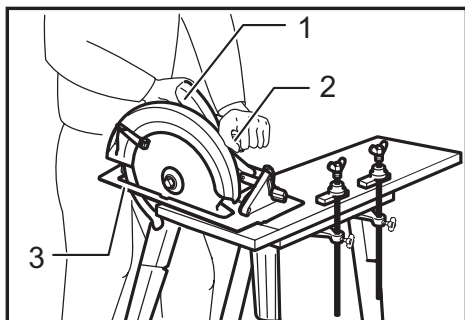
► 1. Aspirador

Cuando desee realizar una operación limpia de corte, conecte una aspiradora Makita a su herramienta. Instale la boquilla de polvo en la herramienta usando el tornillo. Luego conecte una manguera de la aspiradora a la boquilla de polvo como se ilustra en la figura. Para la herramienta que no cuenta con una boquilla de polvo incluida como parte del equipo estándar, reemplace la palanca fija en el protector inferior con la que se incluye con la boquilla de polvo (accesorio opcional) a la vez que se instale la boquilla de polvo. De lo contrario, no será posible hacer un corte pues el movimiento del protector inferior se verá afectado por la boquilla de polvo.

OPERACIÓN

⚠PRECAUCIÓN:

- Asegúrese de mover la herramienta hacia delante en línea recta y suavemente. El forzar o torcer la herramienta producirá un sobrecalentamiento del motor y un peligroso retroceso brusco, causando posiblemente graves heridas.

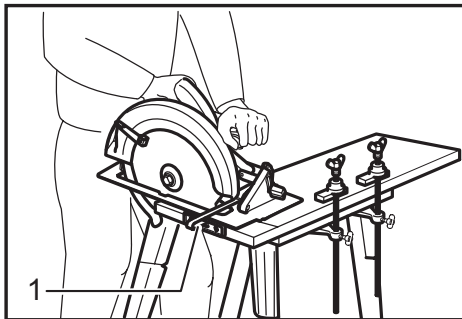


► 1. Empuñadura trasera 2. Empuñadura delantera 3. Base

Sujete la herramienta firmemente. La herramienta está provista de empuñaduras delantera y trasera. Utilice ambas para sujetar de forma óptima la herramienta. Si ambas manos están sujetando la herramienta, no habrá peligro de que las corte el disco. Coloque la base de la herramienta sobre la pieza de trabajo a cortar sin el disco haciendo contacto alguno. Después encienda la herramienta y espere hasta que adquiera plena velocidad. Ahora simplemente mueva la herramienta hacia delante sobre la superficie de la pieza de trabajo, manteniéndola plana y avanzando suavemente hasta completar el corte.

Para obtener cortes limpios, mantenga la línea de corte recta y la velocidad de avance uniforme. Si se desvía de la línea de corte prevista, no intente girar ni forzar la herramienta para hacerla volver a la línea de corte. Esta acción podría inmovilizar el disco y ocasionar un peligroso retroceso brusco y posibles heridas graves. Suelte el interruptor, espere hasta que el disco pare y después retire la herramienta. Realinee la herramienta en una nueva línea de corte, y comience el corte de nuevo. Hay que evitar posturas en las que el operario quede expuesto a las virutas y el aserrín que expulsa la herramienta. Utilice protección para los ojos para ayudar a evitar heridas.

Topo lateral de corte (regla de guía) (accesorio opcional)



► 1. Topo lateral de corte (regla de guía)

La útil guía lateral le permite hacer cortes rectos extra-precisos. Simplemente saque la guía lateral deslizándola hasta ajustarla bien contra el costado de la pieza de trabajo y sujétela en posición con el tornillo de la parte delantera de la base. Con ella también se pueden hacer cortes repetidos de anchura uniforme.

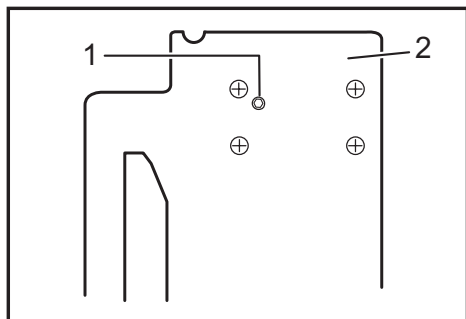
MANTENIMIENTO

⚠PRECAUCIÓN:

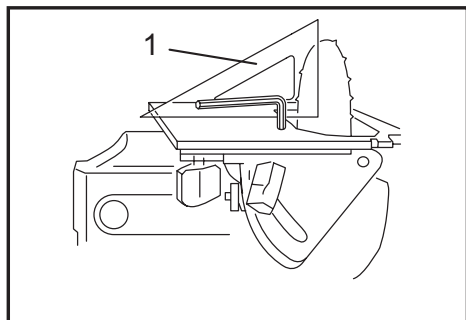
- Asegúrese siempre que la herramienta esté apagada y desconectada antes de intentar realizar una inspección o mantenimiento.
- **Limpie los protectores superior e inferior para asegurar que no haya aserrín acumulado, lo cual puede que impida la operación del sistema inferior de protección.** Un sistema de protección sucio puede que limite la operación adecuada, lo cual podría resultar en graves lesiones al operador. La forma más eficaz de lograr esto es limpiando con aire comprimido. **Si el aserrín está siendo eliminado con aire que se sopla contra los protectores, asegúrese de usar protector para los ojos, al igual que un respirador.**
- Nunca use gasolina, bencina, diluyente (tíner), alcohol o sustancias similares. Puede que esto ocasione grietas o descoloramiento.

Ajuste para corte preciso de 90° (corte vertical)

Este ajuste se ha hecho en fábrica. Pero si se pierde, ajuste el tornillo de regulación con un destornillador a la vez que escuadra el disco con la base usando una escuadra, cartabón, etc.

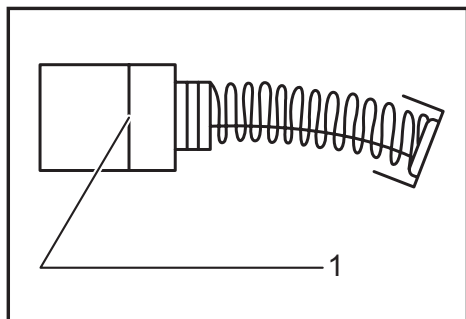


► 1. Tornillo de ajuste 2. Base



► 1. Escuadra

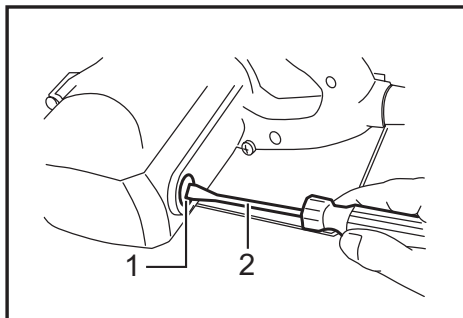
Reemplazamiento de las escobillas de carbón de carbón



► 1. Marca límite

Extraiga e inspeccione de forma periódica las escobillas de carbón. Sustitúyalas cuando se hayan gastado hasta la marca límite. Mantenga las escobillas de carbón limpias de forma que entren libremente en los portaescobillas. Ambas escobillas de carbón deberán ser sustituidas al mismo tiempo. Utilice únicamente escobillas de carbón originales e idénticas.

Utilice un destornillador para quitar Tapa del carbón. Extraiga las escobillas gastadas, inserte las nuevas y vuelva a colocar las tapas.



► 1. Tapa del carbón 2. Destornillador

Para el modelo 5007FA solamente

Después de substituir las escobillas, conectar la herramienta y ablande estas escobillas haciendo funcionar la herramienta sin carga durante 10 minutos. Luego verifique la herramienta en funcionamiento y la operación del freno eléctrico cuando suelte el gatillo interruptor. Si el freno eléctrico no funciona bien, comuníquese con su Centro de Servicio Makita local para solicitar reparación. Para mantener la SEGURIDAD y FIABILIDAD del producto, las reparaciones, y cualquier otra tarea de mantenimiento o ajuste deberán ser realizadas en Centros de Servicio Autorizados por Makita, empleando siempre repuestos Makita.

ACCESORIOS OPCIONALES

⚠PRECAUCIÓN:

- Estos accesorios o aditamentos (incluidos o no) están recomendados para utilizar con su herramienta Makita especificada en este manual. El empleo de cualesquiera otros accesorios o acoplamientos conllevará un riesgo de sufrir heridas personales. Utilice los accesorios o acoplamientos solamente para su fin establecido.

Si necesita cualquier ayuda para más detalles en relación con estos accesorios, pregunte a su centro de servicio Makita local.

- Discos de sierra de acero y de carburo

Combinación	Disco de uso general para cortes al hilo, transversales e ingletes rápidos y limpios.
Madera tratada a presión/Húmeda	Diseñado para corte rápido de madera tratada a presión y de madera húmeda.
Corte fino transversal	Para cortes sin lijar limpiamente a contrahilo.

- Tope lateral de corte (regla de guía)
- Llave del 13

NOTA:

- Algunos de los artículos en la lista puede que vengan junto con el paquete de la herramienta como accesorios incluidos. Puede que estos accesorios varíen de país a país.

GARANTÍA LIMITADA DE MAKITA

Ésta Garantía no aplica para México

Consulte la hoja de la garantía anexa para ver los términos más vigentes de la garantía aplicable a este producto. En caso de no disponer de esta hoja de garantía anexa, consulte los detalles sobre la garantía descritos en el sitio web de su país respectivo indicado a continuación.

Estados Unidos de América: www.makitatools.com

Canadá: www.makita.ca

Otros países: www.makita.com

< USA only >

WARNING

Some dust created by power sanding, sawing, grinding, drilling, and other construction activities contains chemicals known to the State of California to cause cancer, birth defects or other reproductive harm. Some examples of these chemicals are:

- lead from lead-based paints,
- crystalline silica from bricks and cement and other masonry products, and
- arsenic and chromium from chemically-treated lumber.

Your risk from these exposures varies, depending on how often you do this type of work. To reduce your exposure to these chemicals: work in a well ventilated area, and work with approved safety equipment, such as those dust masks that are specially designed to filter out microscopic particles.

< Sólo en los Estados Unidos >

ADVERTENCIA

Algunos polvos creados por el lijado, aserrado, esmerilado, taladrado y otras actividades de la construcción contienen sustancias químicas reconocidas por el Estado de California como causantes de cáncer, defectos de nacimiento y otros peligros de reproducción. Algunos ejemplos de estos productos químicos son:

- plomo de pinturas a base de plomo,
- sílice cristalino de ladrillos y cemento y otros productos de albañilería, y
- arsénico y cromo de maderas tratadas químicamente.

El riesgo al que se expone varía, dependiendo de la frecuencia con la que realice este tipo de trabajo. Para reducir la exposición a estos productos químicos: trabaje en un área bien ventilada y póngase el equipo de seguridad indicado, tal como las máscaras contra polvo que están especialmente diseñadas para filtrar partículas microscópicas.

Makita Corporation

3-11-8, Sumiyoshi-cho,
Anjo, Aichi 446-8502 Japan

www.makita.com

884404C913
5007F-1
EN, FRCA, ESMX
20180627